

2" COMPACT LP DISC-KLEEN FILTER

Automatic
Self-Cleaning
Disc Filter

APPLICATIONS

- Irrigation systems with a capacity of 1 to 80 GPM requiring clean water to operate emitters
- For areas without electricity
- When automation is desirable because manual cleaning is frequent and too cumbersome
- For residential, commercial, industrial, parks, municipal and non-potable water sources

SPECIFICATIONS

- Inlet: 2" male pipe threaded
- Outlet: 2" female pipe threaded
- Flush port: 2" female pipe threaded
- Maximum operating pressure:
Standard and low flow models: 90 psi
High pressure model: 140 psi
- Minimum pressure for backflush: 30 psi
- Minimum flow for backflush:
Standard flow model: 35 GPM
Low flow model: 20 GPM
- Minimum allowable pH: 5
- Weight: 32 lbs.

MATERIALS

- Flush valves: plastic
- Seals: nitrilo rubber, EPDM
- Filter and spine: polypropylene
- Discs: polypropylene
- Clamp and screws: stainless steel

FEATURES & BENEFITS

PROVEN DISC TECHNOLOGY DEPTH FILTRATION

Provides highly effective filtering.

MADE OF NON-CORROSIVE MATERIALS

Prevents rusting and corrosion from chemicals and weather.

COMPACT PRE-ASSEMBLED UNIT FOR EASY INSTALLATION

Fits in tight spaces, saves space. Factory assembled and tested. Delivered ready for hook-up and immediate operation.

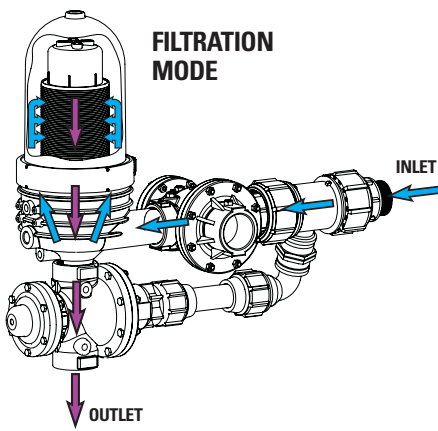
LESS BACKFLUSH TIME REQUIRED

Optimizes irrigation with a more uniform application of water.

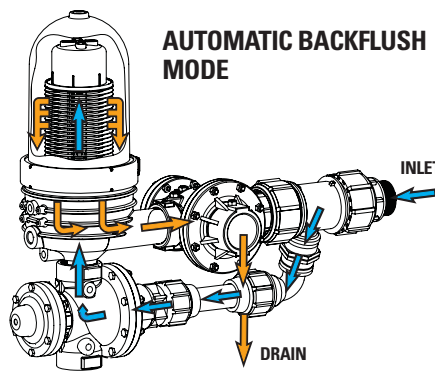
INCLUDES BACKFLUSH CONTROLLER

AC model uses 110VAC power. DC model uses four D batteries.





FILTRATION MODE



AUTOMATIC BACKFLUSH MODE

DISC FILTER TECHNOLOGY

Grooves in the disc rings criss-cross to form a network that traps debris between and on the outside of the discs.

HOW IT WORKS

As dirty water is pumped into the filter, and pressure increases, the water compresses the disc rings together tightly. The water is then forced to flow through the grooves of the disc rings, where debris is trapped, releasing only clean water to the irrigation system.

AUTOMATIC BACKFLUSH TECHNOLOGY

The discs separate and nozzles spray the discs with clean water - inside and out, removing debris.

**STANDARD FLOW MODEL
MAXIMUM FLOW RATE (GPM)**

WATER QUALITY*	80 & 120 MESH	140 MESH
GOOD	80	70
AVERAGE	70	60
POOR	55	50
VERY POOR	35	30

**LOW FLOW MODEL
MAXIMUM FLOW RATE (GPM)**

WATER QUALITY*	80 & 120 MESH	140 MESH
GOOD	50	40
AVERAGE	40	30
POOR	30	20
VERY POOR	20	10

***WATER QUALITY**

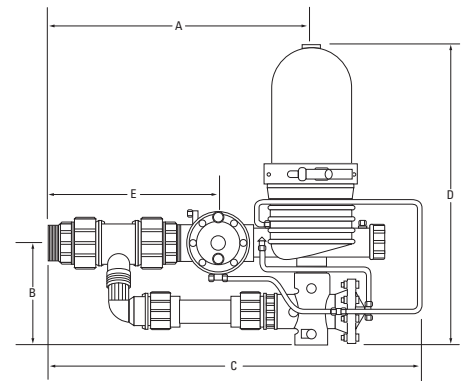
Good Water Quality: Municipal water supply or well water from a clean aquifer with no sand, iron or manganese.

Average Water Quality: Wells with small amounts of sand (< 2 ppm) or clean surface water which includes lakes, ponds, reservoirs and canals.

Poor Water Quality: Well water with sand up to 10 ppm or surface water in hot climates with increased biological growth and no chemical treatment which includes lakes, ponds, reservoirs and canals.

Very Poor Water Quality: Well water with greater than 10 ppm of sand including rivers, muddy canals, lakes and ponds with severe run off deposits and raw municipal wastewater.

Greater than 3 ppm Sand or Silt: May require a pre-filter such as a hydrocyclone.

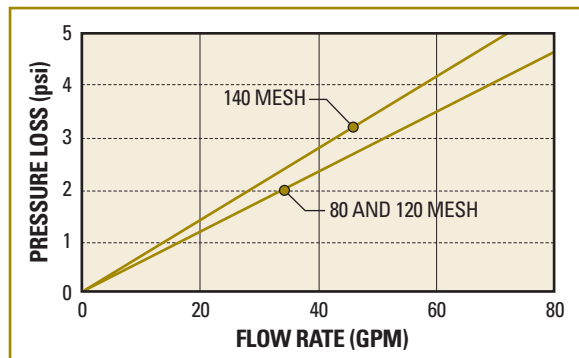


DIMENSIONS & WEIGHT

INLET/OUTLET (A)	INLET/OUTLET OFFSET (B)	LENGTH* (C)	HEIGHT (D)	DRAIN (E)	WEIGHT (LBS.)
21 1/2"	8 5/8"	30"	25"	13 17/16"	32

* Includes controller (not shown)

FLOW RATE VS. PRESSURE LOSS



FLOW RATE VS. PRESSURE LOSS

FLOW RATES (GPM)	10	20	30	40	50	60	70	80
PRESSURE LOSS (psi)	0.2	0.5	1	1.4	2	3	4	5

120 mesh when filter is in a clean state.

ORDERING INFORMATION

DESCRIPTION	MESH	AC MODEL NUMBER	DC MODEL NUMBER
STANDARD FLOW MODEL 1-80 GPM 1-90 psi	80	DFALP200-080AC	DFALP200-080DCL
	120	DFALP200-120AC	DFALP200-120DCL
	140	DFALP200-140AC	DFALP200-140DCL
LOW FLOW MODEL 1-50 GPM 1-90 psi	80	DFALPLF200-080AC	DFALPLF200-080DCL
	120	DFALPLF200-120AC	DFALPLF200-120DCL
	140	DFALPLF200-140AC	DFALPLF200-140DCL

AC Models include installed backflush controller for 110VAC power supply. DC Models include installed backflush controller with (4) D batteries and latching solenoids.



NETAFIM USA
5470 E. Home Ave.
Fresno, CA 93727
CS 888 638 2346
www.netafimusa.com