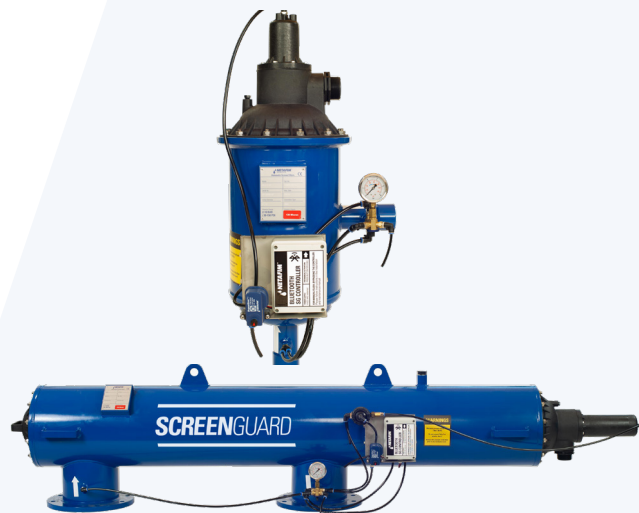


# ScreenGuard™

## AUTOMATIC SCREEN FILTERS

Automatic screen filters provide perfect protection for irrigation systems thanks to extra-large filtration area. ScreenGuard™ also incorporates the most effective self-cleaning mechanism, saving labor, water and energy.



### NOW OFFERED

In 3 different configurations

• Vertical • Horizontal • Twin



Corrosion & UV  
resistance



Bigger



Ease of  
maintenance

## / Benefits & Features

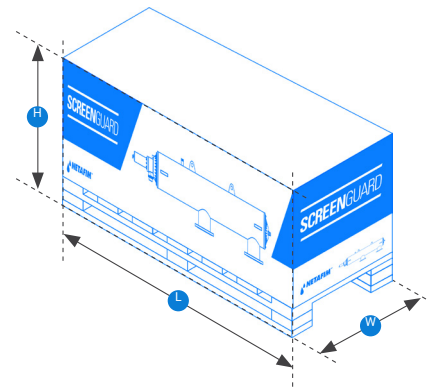
- **Huge screen size** Allows the filter to work with higher flow rates and deal with harsh water conditions
- **Corrosion resistance** Filter body is made from high quality carbon steel with two-layers of coating, offering excellent corrosion resistance
- **Cover & piston** Made from durable non-corrosive materials for easy, cost-effective and low maintenance
- **Extra protection** The filter screen cylinder is molded with stainless-steel 316 screen incorporating a special weave, providing an extra layer of protection to the irrigation system
- **Two models** Horizontal and vertical, with multiple filtration area options covering a wide range of flow rates, ensures a perfect fit for different water quality and protection requirements
- **ScreenGuard™ application** BT (Bluetooth) controller activated with Netafim SG App allows better control of filter performance
- **Multi connection types** Fits with any irrigation system
- **Variety of applications** Thanks to different micron rating screens

## / Applications

- ✓ Primary filtration for use with well water and/or single use dripperline applications in multiple water sources
- ✓ Primary filtration for micro and open field sprinkler applications in multiple water sources
- ✓ Primary filtration for landscaping applications

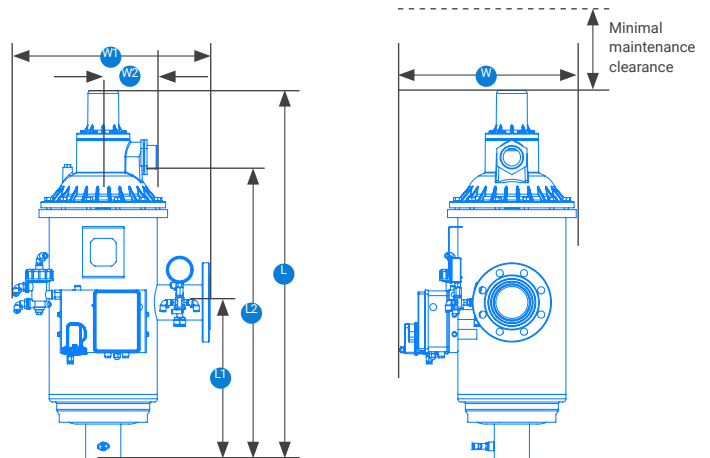
## → Vertical Filters Logistic Data

Model	Connection Type	Quantity in Box	Box Length L (inch)	Box Height H (inch)	Box width W (inch)	Gross Weight per Box (lb.)
SGV 2"	NPT	1	42	28	20	103
SGV 3"	NPT	1	42	28	20	115
SGV 3"	ANSI	1	42	28	20	117
SGV 3"S	NPT	1	42	28	20	119
SGV 3"S	ANSI	1	42	28	20	121
SGV 4"	ANSI	1	42	28	20	127
SGV 4"S	ANSI	1	64	28	20	167
SGV 6"	ANSI	1	64	28	20	178



## → Vertical Filters Dimensions

Model	L	L1	L2	W	W1	W2	MCD
SGV 2", 3" Thread	36.3"	15.2"	27.7"	17.4"	19.6"	3.6"	20"
SGV 2", 3" Flange	37.5"	15.2"	27.7"	17.4"	20.7"	3.6"	20"
SGV 3"S Thread	41.4"	17.3"	31.7"	17.4"	20.7"	3.6"	20"
SGV 3"S, 4" Flanged	41.4"	17.3"	31.7"	17.4"	20.7"	3.6"	24"
SGV 4"S, 6" Flanged	59.5"	24.4"	45"	17.4"	20.7"	5.4"	34"

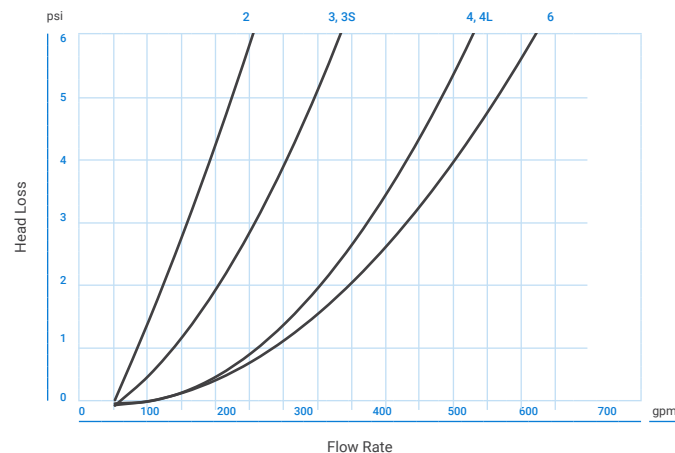


## → Vertical Filters Technical Information

Description	Filtration Area (inch <sup>2</sup> )	Available Connection Types	Maximum Recommended Flow Rate (gpm)	Back Flush Flow Rate (gpm)	Minimum Pressure During Back-flush (psi)	Pressure Rating (psi)
SGV 2"	209	NPT	110	53	29	145
SGV 3"	209	NPT / ANSI	155	53	29	145
SGV 3"S	310	NPT / ANSI	220	79	29	145
SGV 4"	310	ANSI	330	79	29	145
SGV 4"S	419	ANSI	350	53	29	145
SGV 6"	419	ANSI	440	53	29	145

\* For larger systems up to 14" with multiple units, please contact Netafim representative

## → Vertical Filters Head Loss



## → Vertical Filters Catalog Numbers

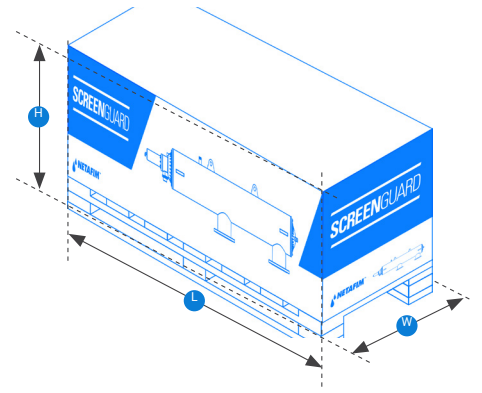
Catalog number starting with  
71960 + (any below 6 digits)

Model	150 Mesh		120 Mesh		80 Mesh	
	NPT	ANSI	NPT	ANSI	NPT	ANSI
SGV 2"	000102	n/a	000103	n/a	000104	n/a
SGV 3"	000122	000125	000123	000126	000124	000127
SGV 3"S	000172	000175	000173	000176	000174	000177
SGV 4"	n/a	000222	n/a	000223	n/a	000224
SGV 4"S	n/a	000603	n/a	000602	n/a	000604
SGV 6"	n/a	000610	n/a	000611	n/a	000612

- SAP codes includes SG1 BT controller, for other controller type please contact Netafim
- For other filtration grades, please contact Netafim

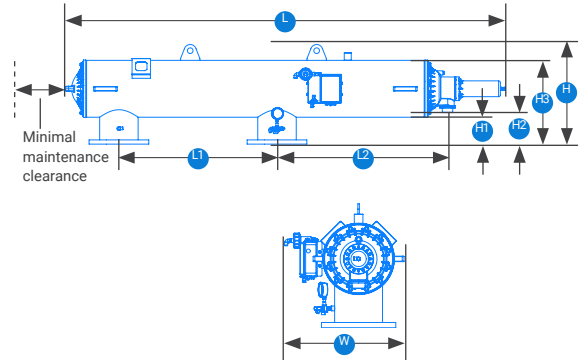
## → Horizontal Filters Logistic Data

Model	Connection Type	Quantity in Box	Box Length L (inch)	Box Height H (inch)	Box width W (inch)	Gross Weight per Box (lb.)
SGH 4"	ANSI	1	87	28	22	262
SGH 4"S	ANSI	1	103	30	22	344
SGH 6"	ANSI	1	87	28	22	280
SGH 6"S	ANSI	1	103	30	22	350
SGH 8"	ANSI	1	103	30	22	372
SGH 10"	ANSI	1	103	30	22	392



## → Horizontal Filters Dimensions

Model	L	L1	L2	H	H1	H2	H3	W	MMC
SGH 4", 6"	99	35.43	38.31	22.22	5.93	7	18.7	21.5	60
SGH 4"S, 6"S, 8", 10"	82	35.43	20.22	20.22	5.93	6	16.67	18.85	80

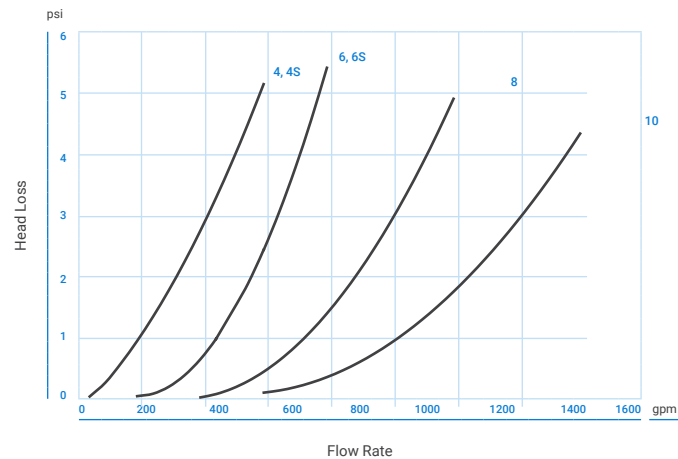


## → Horizontal Filters Technical Information

Description	Filtration Area (inch <sup>2</sup> )	Available Connection Types	Maximum Recommended Flow Rate (gpm)	Back Flush Flow Rate (gpm)	Minimum Pressure During Back-flush (psi)	Pressure Rating (psi)
SGH 4"	822	ANSI	350	106	29	145
SGH 4"S	1,225	ANSI	440	159	29	145
SGH 6"	822	ANSI	530	106	29	145
SGH 6"S	1,225	ANSI	660	159	29	145
SGH 8"	1,225	ANSI	1,100	159	29	145
SGH 10"	1,225	ANSI	1,320	159	29	145

\* For larger systems up to 14" with multiple units, please contact Netafim representative

## → Horizontal Filters Head Loss



## → Horizontal Filters Catalog Numbers

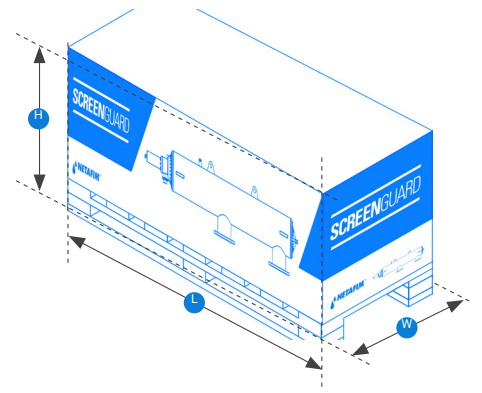
Catalog number starting with  
71960 + (any below 6 digits)

Model	150 Mesh	120 Mesh	80 Mesh
	ANSI	ANSI	ANSI
SGH 4"	000252	000253	000254
SGH 4"S	000275	000276	000277
SGH 6"	000305	000306	000307
SGH 6"S	000325	000326	000327
SGH 8"	000379	000380	000381
SGH 10"	000450	000451	000452

- SAP codes includes SG1 BT controller, for other controller type please contact Netafim
- For other filtration grades, please contact Netafim

## → Twin Filters Logistic Data

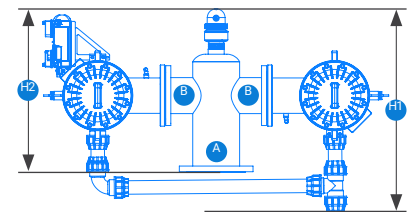
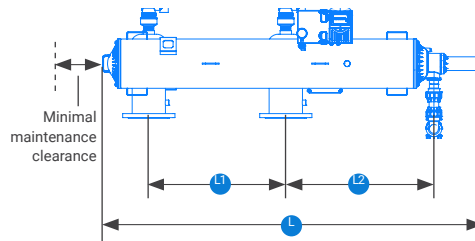
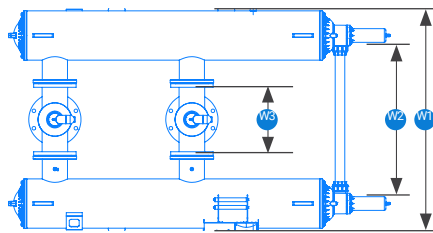
Model	Conn. Type	Quantity in Box	Number of Boxes	Box Length L (inch)	Box Height H (inch)	Box width W (inch)	Gross Weight per Box (lb.)
SGH 2x6" (8")	ANSI	1	3 (Filters + In/Out Manifolds)	Box 1 - 103	Box 1 - 30	Box 1 - 22	Box 1 - 350
				Box 2 - 103	Box 2 - 30	Box 2 - 22	Box 2 - 350
				Box 3 - 63	Box 3 - 30	Box 3 - 22	Box 3 - 198
SGH 2x8" (10")	ANSI	1		Box 1 - 103	Box 1 - 30	Box 1 - 22	Box 1 - 372
				Box 2 - 103	Box 2 - 30	Box 2 - 22	Box 2 - 372
				Box 3 - 63	Box 3 - 30	Box 3 - 22	Box 3 - 198
SGH 2x10" (12")	ANSI	1		Box 1 - 103	Box 1 - 30	Box 1 - 22	Box 1 - 392
				Box 2 - 103	Box 2 - 30	Box 2 - 22	Box 2 - 392
				Box 3 - 63	Box 3 - 30	Box 3 - 22	Box 3 - 210



- For other configurations, please contact Netafim representative

## → Twin Filters Dimensions

System Description	L (inch)	L1 (inch)	L2 (inch)	W1 (inch)	W2 (inch)	W3 (inch)	H1 (inch)	H2 (inch)	A (inch)	B (inch)	MMC (inch)
2x6"SG - 8" IN/OUT	98.9"	35.4"	38.3"	62.2"	43.5"	18.7"	37.1"	30.1"	8"	6"	80
2x8"SG - 10" IN/OUT	98.9"	35.4"	38.3"	62.9"	42.9"	18.2"	39.2"	31.7"	10"	8"	80
2x10"SG - 12" IN/OUT	98.9"	35.4"	38.3"	66.9"	47.6"	22.8"	40.4"	39.5"	12"	10"	80

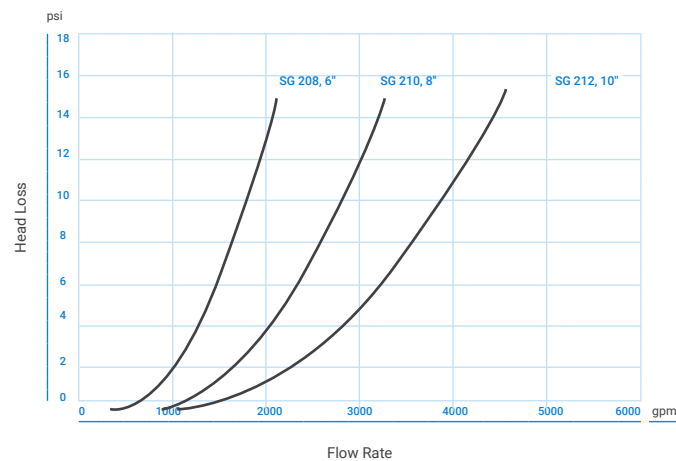


## → Twin Filters Technical Information

Description	Filtration Area (inch <sup>2</sup> )	Available Connection Types	Maximum Recommended Flow Rate (gpm)	Back Flush Flow Rate (gpm)	Minimum Pressure During Back-flush (psi)	Pressure Rating (psi)
SGH 2X6" (8")	2,450	FLANGED	1,320	159	28	145
SGH 2X8" (10")	2,450	FLANGED	2,200	159	28	145
SGH 2X10" (12")	2,450	FLANGED	2,650	159	28	145

\* For larger systems up to 14" with multiple units, please contact Netafim representative

## → Twin Filters Head Loss



## → Twin Filters Catalog Numbers

Catalog number starting with 71961+ (any below 6 digits)

Model	150 Mesh	120 Mesh	80 Mesh
	ANSI	ANSI	ANSI
SGH 2X6" (8")	TBD	TBD	TBD
SGH 2X8" (10")	000160	000181	000150
SGH 2X10" (12")	000180	000100	000170

- For other filtration grades, please contact Netafim
- SAP Codes includes the Netafim Backflush Controller on a Stand, for other controller types please contact Netafim