



Precision
Agriculture



Hydrocyclone

AutoFlush Kit Manual

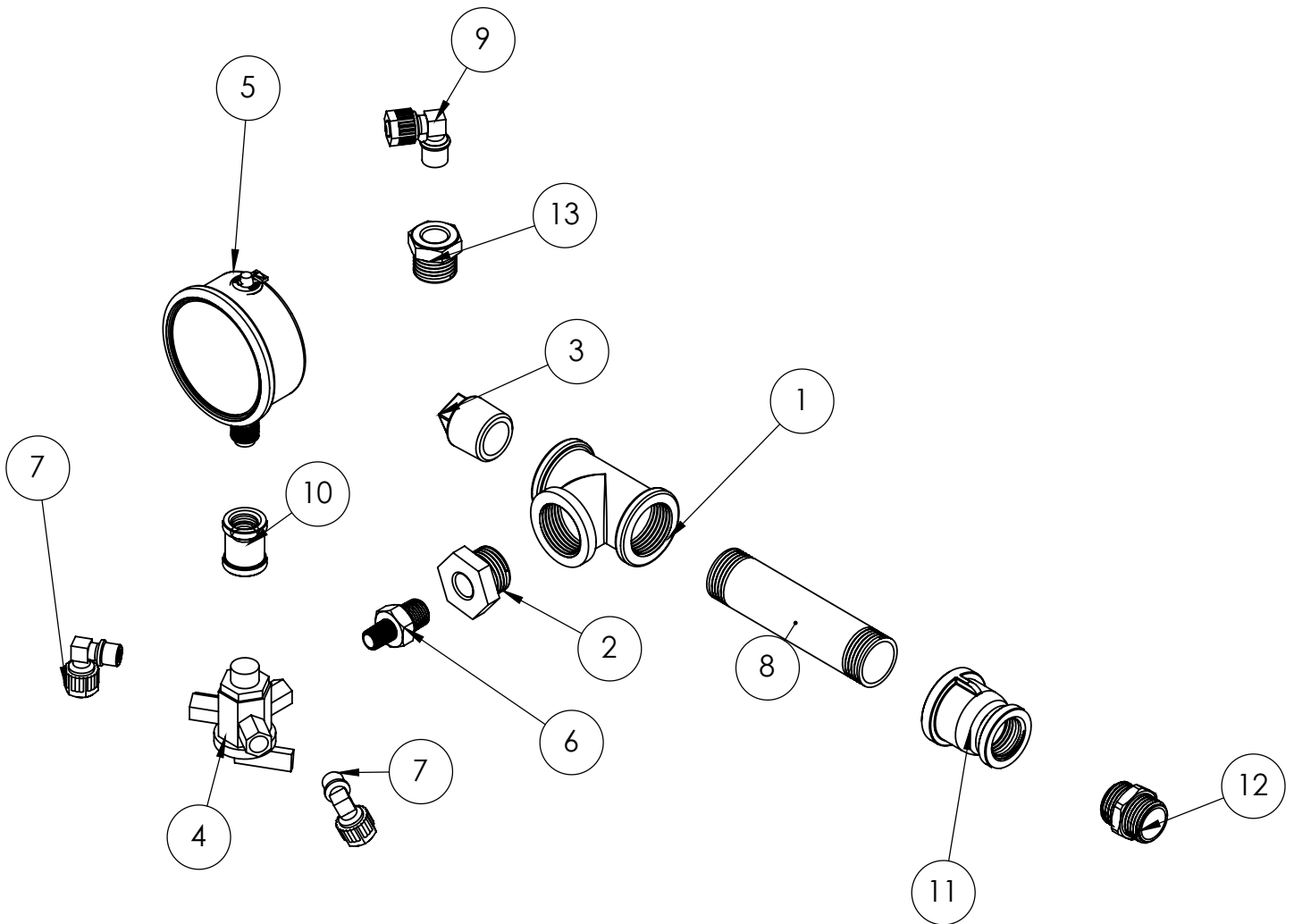
/ Table of Contents

Features / Benefits	3
3-way Pressure Gauge Kit	4
AutoFlush Kit for 1-tank	6
AutoFlush Kit for 2-tank.....	8
AutoFlush Kit for 3-tank.....	10
Quick Programing Instructions.....	13
Ordering Information.....	15

/ Benefits & Features

- Hydro cyclone filters use centrifugal force to separate particles from water based on their density. They are effective in removing sand, silt, and other heavy particles from irrigation water and are often used as pre-filters in conjunction with other filtration systems.
- Hydro cyclone utilize a conical shaped separator that accelerates the velocity of water, maximizing the separation process.
- The separated material drops down into the sedimentation tank, from where it should be removed frequently.
- Sedimentation tanks in hydro cyclones are essential for separating solids from liquids. Over time, sediment can accumulate in these tanks, reducing their effectiveness. Regular cleaning ensures that the tanks can continue to operate at their optimal efficiency.
- Netafim Hydro cyclones has, as a standard, a 2" NPT outlet, to allow better and more efficient cleaning process of the sedimentation tank.
- Netafim has 4 different kits, that allow better control and automatic flush of the sedimentation tanks, reducing the need to be presented in the system, and cleaning those in a manual manner.

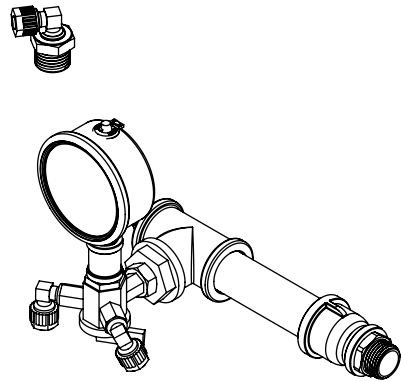
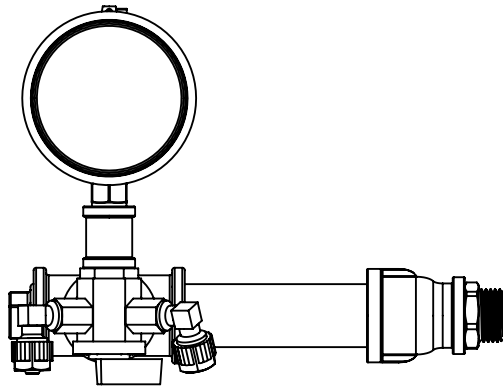
/ 3-Way Pressure Gauge Kit



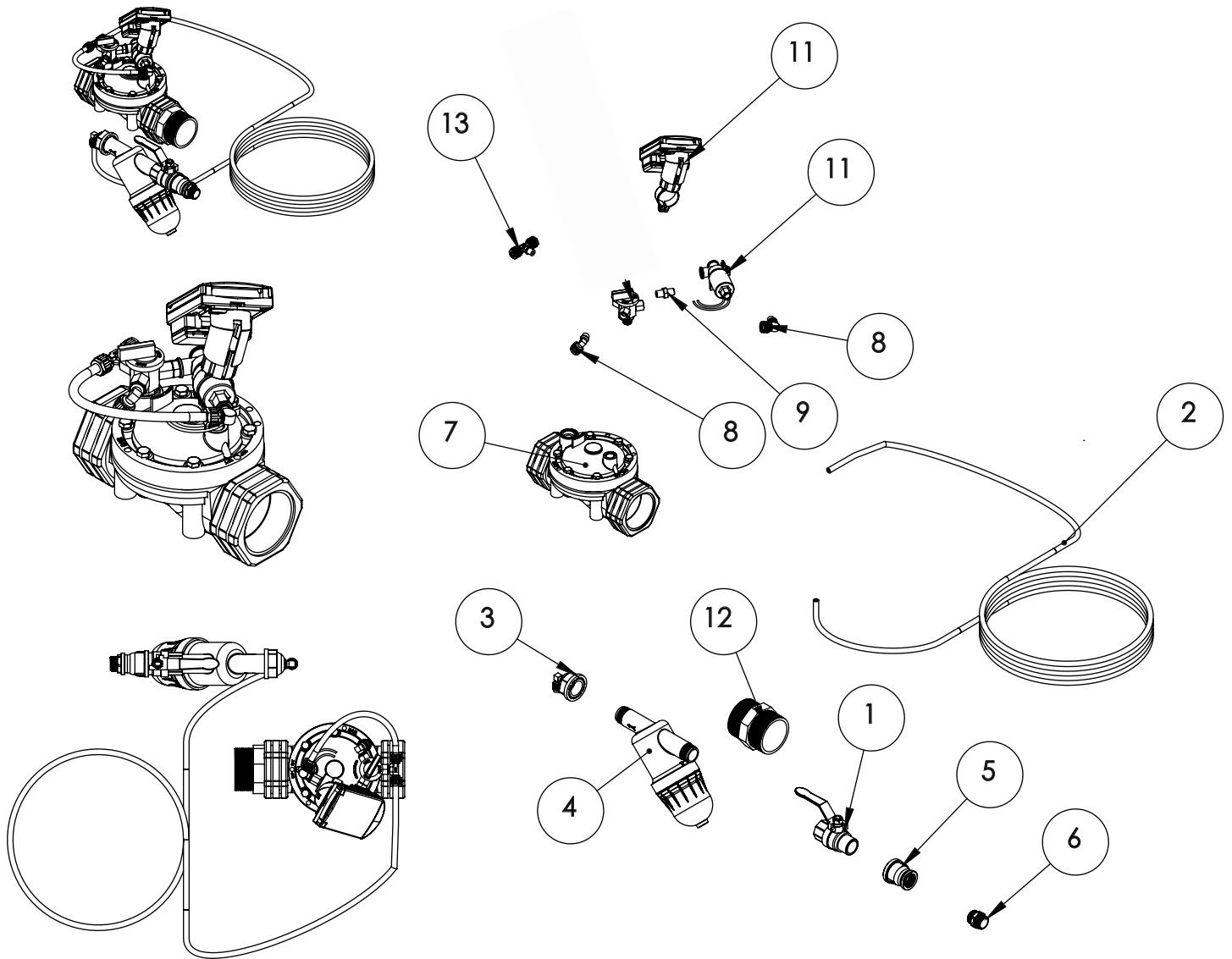
Hydro cyclone Pressure gauge kit - 72002-003021

ITEM NO.	SAP Cat. No.	SAP Description	NII Catalog No.	QTY.
1	00110-000002	GLV TEE 3/4" NPT	44GTEE34	1
2	00110-000003	GLV BUSHING 3/4" X 1/4" NPT	44GBUSH3414	1
3	00110-000004	GLV PLUG 3/4"	44GPLUG34	1
4	71610-035900	3 WAY SELECTOR 1/8 X 1/4M	62SV21/4M	1
5	00110-001810	PRS GAUGE LQD-FILL 0-160 PSI	6809020-160	1
6	78301-004000	BRS REDUCE HEX NPL 1/4" X 1/8"	55B216P42	1
7	76400-003450	TEFEN MALE ELBOW 8 MM*1/8 BLACK	55P4694802	2
8	00110-000005	GLV NIPPLE 3/4" X 4" NPT	44GNIP344	1
9	76400-003505	TEFEN MALE ELBOW 8*1/4-BLACK PP	55P4694804	1
10	00110-000006	BRS FEMALE COUPLING 1/4 X 1/4	55BC14	1
11	00110-000008	GLV REDUCING COUPLING 3/4"X1/2" NPT	44GRC3412	1
12	00110-000007	GLV NIPPLE 1/2" X 2" NPT	44NIP122	1
13	78301-003600	BRS BUSHING 1/2"MX1/4"F	55B209P84	1
14	40001-000420	PE CONTROL TUBE .208X.315 8MM 1640'	15CONT-8-I	10 FT

/ 3-Way Pressure Gauge Kit



/ Hydrocyclone Autoflush Kit for 1-Tank



Hydro cyclone 1 valve kit - 72002-003019

ITEM NO.	SAP Description	SAP Cat No.	Model NO.	QTY.
1	BALL VALVE BRASS 3/4 M X F	71610-035700	62SBV75	1
2	PE CONTROL TUBE .208X.315 8MM 1640'	40001-000420	15CONT-8-11	0FT
3	PLASTIC CAP 3/4" F. X 1/4 X 8 ELBOW F/ 2" DISK KLEEN SYSTEM	70620-007590	25AP22531214	1
4	FILTER 3/4 080MESH YELLOW	70640-001100	25A45-080	1
5	GLV REDUCING COUPLING 3/4"X1/2" NPT	00110-000008	44GRC3412	1
6	GLV NIPPLE 1/2" X 2" NPT	00110-000007	44NIP122	1
7	VLV MANUAL 2 PLASTIC THRD	71610-005700	61M2NT	1
8	TEFEN MALE ELBOW 8 MM*1/8 BLACK	76400-003450	55P4694802	3
9	TEFEN PIPE HEX NIPPLE 1/8	76400-006200	55P1220202	2
10	TEFEN 1/4 PLUG	76400-005400	55P1210400	1
11	WINDOW CONT 1ST+G75 12DCL 3WNO 1.2 BSPT	70800-000023	61BWCG75-12DCL	1
12	PVC NIPPLE 2IN TBE X 3IN LONG SCH80	77350-017500	44NIP2X2	1
13	TEFEN MALE BRANCH TEE 8*1/8	76400-004400	55P4714802	1



Precision Agriculture

Learn more at:
netafimusa.com



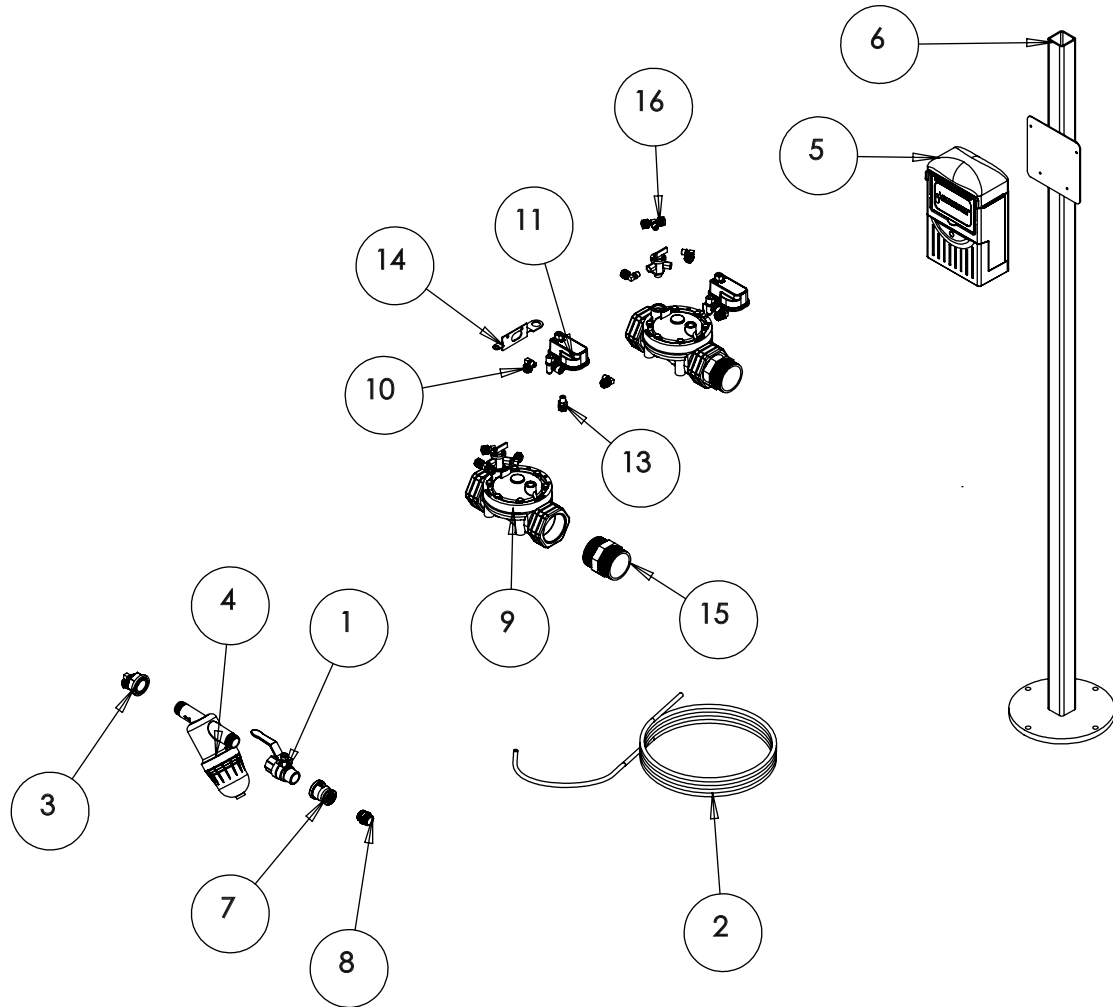
/ Hydrocyclone Autoflush Kit for 1-Tank



3-Way Pressure Gauge Kit and
Autoflush Kit



/ Hydrocyclone Autoflush Kit for 2-Tanks



Hydro cyclone 2 valve kit - 72002-003150

ITEM NO.	SAP Description	SAP Cat No.	Model NO.	QTY.
1	BALL VALVE BRASS 3/4 M X F	71610-035700	62SBV75	1
2	PE CONTROL TUBE .208X.315 8MM 1640'	40001-000420	15CONT-8-I	20FT
3	PLASTIC CAP 3/4" F. X 1/4 X 8 ELBOW F/ 2" DISK KLEEN SYSTEM	70620-007590	25AP22531214	1
4	FILTER 3/4 080MESH YELLOW	70640-001100	25A45-080	1
5	NETAFIM BACKFLUSH CONT DCL 2 OUT W/DP - NO BRKT	73240-003175	31NBCDCL2-NB	1
6	BACK WASH CONTROL STAND	71910-000100	2SMFCONTROLSTND	1
7	GLV REDUCING COUPLING 3/4"X1/2" NPT	00110-000008	44GRC3412	1
8	GLV NIPPLE 1/2" X 2" NPT	00110-000007	44NIP122	1
9	VLV MANUAL 2 PLASTIC THRD	71610-005700	61M2NT	2
10	TEFEN MALE ELBOW 8 MM*1/8 BLACK	76400-003450	55P4694802	8
11	SOL AQUATIVE DCL 1 NO BRACKET	35500-001900	61AQTVDCL	2
12	TEFEN 1/4 PLUG	76400-005400	55P1210400	2
13	TEFEN MALE CONNECTOR 8*1/8 BLACK	76400-002150	22046848068	2
14	ALUM AQUATIVBRACKET FOR1 SOLENOID+BENDING	35500-002830	61BRKTWISTED	2
15	PVC NIPPLE 2IN TBE X 3IN LONG SCH80	77350-017500	44NIP2X2	2
16	TEFEN MALE BRANCH TEE 8*1/8	76400-004400	55P4714802	2
17	TEFEN UNION TEE 8 MM	76400-004000	55P4644848	1

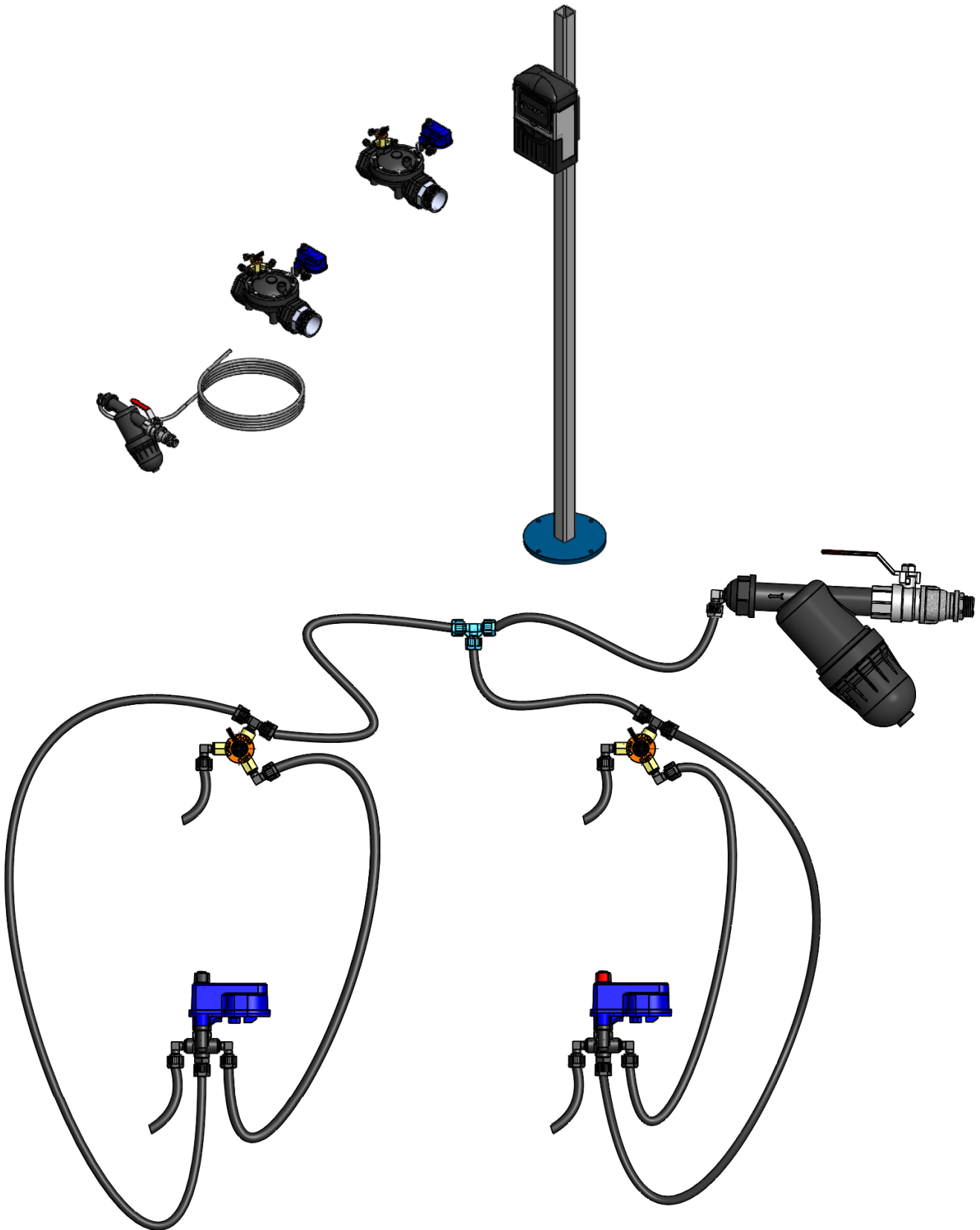


Precision Agriculture

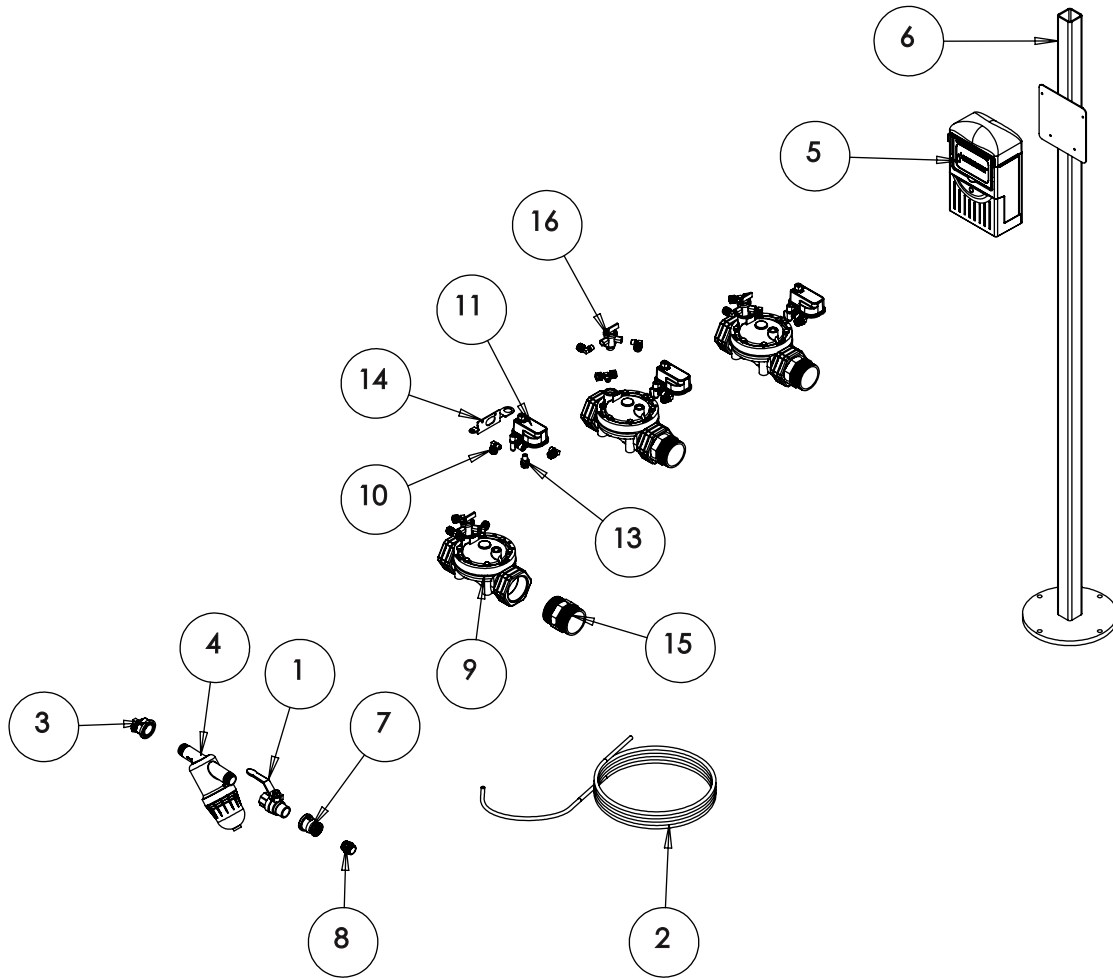
Learn more at:
netafimusa.com



/ Hydrocyclone Autoflush Kit for 2-Tanks



/ Hydrocyclone Autoflush Kit for 3-Tanks



Hydro cyclone 3 valve kit - 72002-003160

ITEM NO.	SAP Description	SAP Cat No.	Model NO.	QTY.
1	BALL VALVE BRASS 3/4 M X F	71610-035700	62SBV75	1
2	PE CONTROL TUBE .208X.315 8MM 1640'	40001-000420	15CONT-8-I	20FT
3	PLASTIC CAP 3/4" F. X 1/4 X 8 ELBOW F/ 2" DISK KLEEN SYSTEM	70620-007590	25AP22531214	1
4	FILTER 3/4 080MESH YELLOW	70640-001100	25A45-080	1
5	NETAFIM BACKFLUSH CONT DCL 2 OUT W/DP - NO BRKT	73240-003175	31NBCDCL2-NB	1
6	BACK WASH CONTROL STAND	71910-000100	2SMFCONTROLSTND	1
7	GLV REDUCING COUPLING 3/4"X1/2" NPT	00110-000008	44GRC3412	1
8	GLV NIPPLE 1/2" X 2" NPT	00110-000007	44NIP122	1
9	VLV MANUAL 2 PLASTIC THRD	71610-005700	61M2NT	3
10	TEFEN MALE ELBOW 8 MM*1/8 BLACK	76400-003450	55P4694802	12
11	SOL AQUATIVE DCL 1 NO BRACKET	35500-001900	61AQTVDCL	3
12	TEFEN 1/4 PLUG	76400-005400	55P1210400	3
13	TEFEN MALE CONNECTOR 8*1/8 BLACK	76400-002150	22046848068	3
14	ALUM AQUATIVBRACKET FOR1SOLENOID+BENDING	35500-002830	61BRKTWISTED	3
15	PVC NIPPLE 2IN TBE X 3IN LONG SCH80	77350-017500	44NIP2X2	3
16	TEFEN MALE BRANCH TEE 8*1/8	76400-004400	55P4714802	3
17	TEFEN UNION TEE 8 MM	76400-004000	55P4644848	2

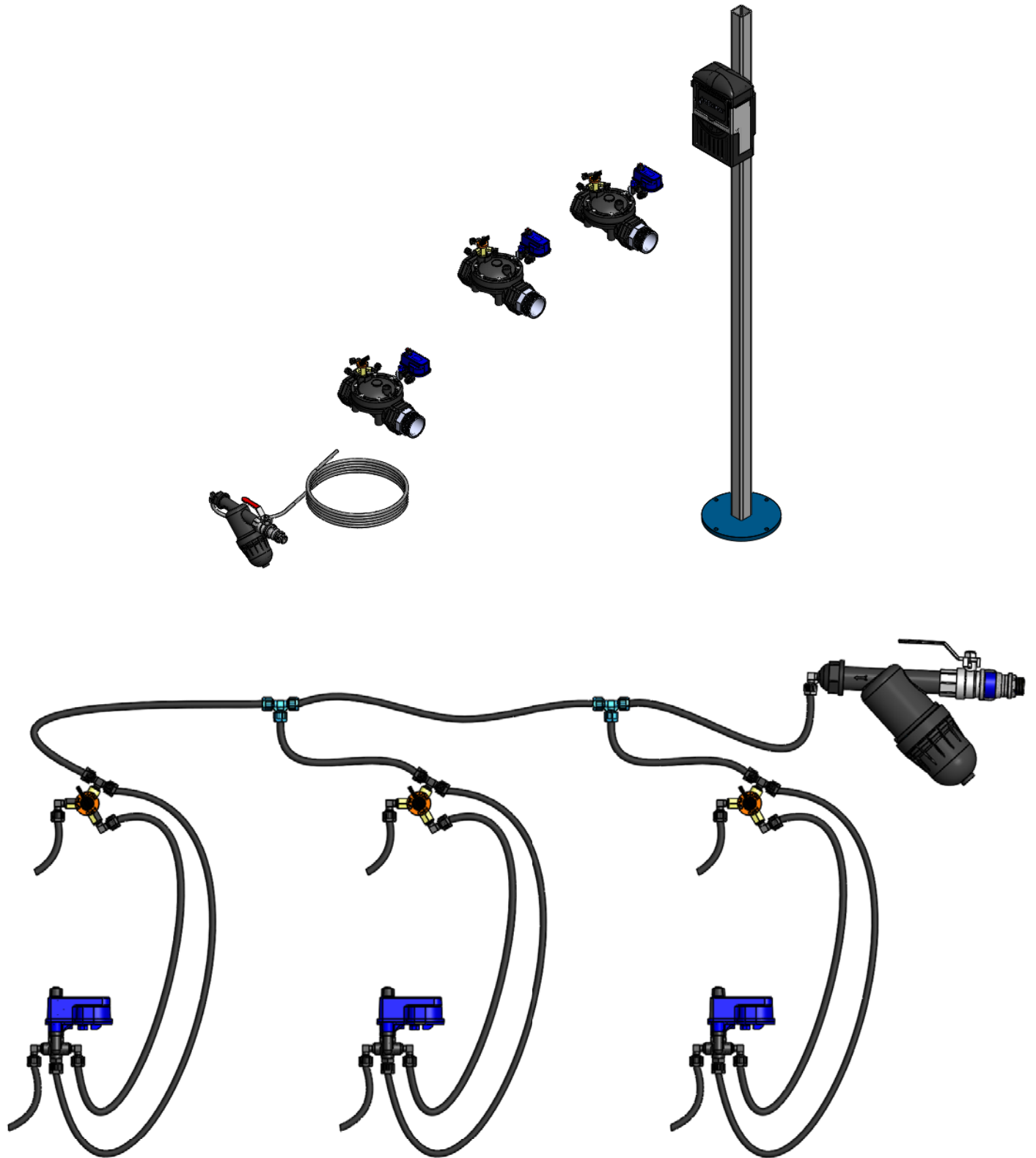


Precision Agriculture

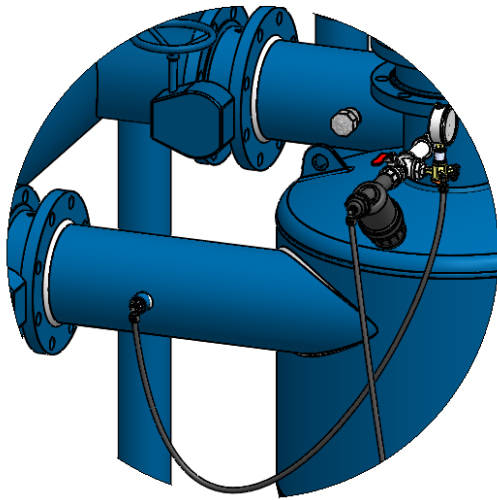
Learn more at:
netafimusa.com



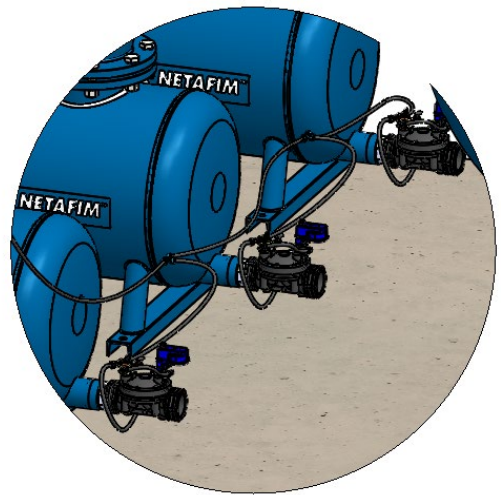
/ Hydrocyclone Autoflush Kit for 3-Tanks



/ Hydrocyclone Autoflush Kit for 3-Tanks Complete



DETAIL A
SCALE 1 : 10



DETAIL B
SCALE 1 : 10



/ Quick Programing Guide for Controllers

Netafim Backflush Controller: Please Reference Controller Manual for complete details

Quick Setup Guide:

- 1** Press "Return" key for 3 Seconds. Flushing Time should be blinking.
- 2** Enter the Flush Time using the "+" and "-" keys. Recommendation is 10 Seconds
- 3** Press the "Return" key. The DP set should be blinking.
- 4** Adjust the DP Set to 0. NO differential pressure is used
- 5** Press the "Return" key. Flush Mode should be blinking
- 6** Adjust the Flush Time to 60 mins

/ Quick Programing Guide for Controllers

Windows Controller: Please Reference Controller Manual for complete details

Quick Setup Guide:

1 Setting the Clock

- a) Press and hold the "Mode" key for several seconds until clock appears
- b) Use "+" and "-" buttons to set the minutes, press "Set" to continue
- c) Repeat process to set Hours and select current day.

2 Setting the Window (time window the controller will operate)

- a) Press and hold the "Mode" key for several seconds until clock appears, then press "Mode" key again. Will display "Str" and alternate with clock. This will be when irrigation starts.
- b) Use "+" and "-" buttons to set the Minutes, press "Set" to continue
- c) Use "+" and "-" buttons to set the Hour, press "Set" to continue
- d) Display will alternate between "End" and time. This will be set for when irrigation ends.
- e) Use "+" and "-" buttons to set the Minutes, press "Set" to continue
- f) Use "+" and "-" buttons to set the Hour, press "Set" to continue

***Recommend setting window to reflect 24 hours of operation.*

Str => 0 minutes and 0 hours

End => 0 minutes and 24 hours

3 Setting the ON time (Duration Time)

- a) After completing the Step 2-f above (after hitting "Set") the display will show a Water Faucet
- b) The display will alternate between "On" and a number. The number represents the duration.
- c) Use "+" and "-" buttons to set the Seconds (recommend 10), press "Set" to continue
- d) Use "+" and "-" buttons to set the Minutes, (set to 0) press "Set" to continue
- e) Use "+" and "-" buttons to set the Hour (set to 0), press "Set" to continue

4 Setting the OFF time (interval between flushing)

- a) After completing the Step 3-e above (after hitting "Set") the display will show a Water Faucet
- b) The display will alternate between "Off" and a number. The number represents the Interval.
- c) Use "+" and "-" buttons to set the Minutes, (set to 0) press "Set" to continue
- d) Use "+" and "-" buttons to set the Hour (set to 1), press "Set" to continue

5 Setting the Days (the Days of the week the program will operate)

- a) After completing the Step 4-d above (after hitting "Set") the display will show a "day"
- b) Press "Set" and press "+" to select the day. Recommend to select all days (1-7)

Controller is set to flush for 10 seconds every 1 hour of the day and everyday of the week.

/ Ordering Information

→ Hydrocyclone Sand Separators (Complete Units)

Item Number	Model Number	Flow Rate		Connection Type		Sedimentation Tank		
		Minimum Flow (GPM)	Maximum Flow (GPM)	Inlet (In)	Outlet (In)	Inlet (In)	Outlet (In)	Size (Gal)
71990-000300	NHC8-2GR-WT3	55	88	2" GR	2" GR	3" GR	2"	3.2
71990-000310	NHC8-3GR-WT3	86	132	3" GR	3" GR	3" GR	2"	3.2
71990-000424	NHC8-3GR-WT8	86	132	3" GR	3" GR	3" GR	2"	7.9
71990-000311	NHC8S-3GR-WT3	119	185	3" GR	3" GR	3" GR	2"	3.2
71990-000420	NHC8S-3GR-WT8	119	185	3" GR	3" GR	3" GR	2"	7.9
71990-000320	NHC12-4GR-WT16	154	269	4" GR	4"GR	4" FL	2"	15.9
71990-000321	NHC16-4GR-WT16	260	418	4" GR	4"GR	4" FL	2"	15.9
71990-000322	NHC16-4GR-WT32	260	418	4" GR	4"GR	4" FL	2"	31.7
71990-000201	NHC20-6FL-WT32	387	647	6" FL	6" FL	8" FL	2"	31.7
71990-000221	NHC24-6FL-WT32	555	903	6" FL	6" FL	8" FL	2"	31.7
71990-000291	NHC24-6FL-WT63	555	903	6" FL	6" FL	8" FL	2"	63.4
71990-000241	NHC30-8FL-WT63	903	1761	8" FL	8" FL	8" FL	2"	63.4

→ Hydrocyclone Autoflush Kits

Item Number	Model Number	Description	Hydrocyclone Options
72002-003021	NHCPGK	3-Way Pressure Gauge Kit for Hydrocyclones	Used with all Hydrocyclones
72002-003019	NHCAFKIT2-1BDCL	AutoFlush Kit for 1 Tank 2" Drain Baccara 12VDCL	Used with all Hydrocyclones
72002-003150	NHCAFKIT2-2NADCL	AutoFlush Kit for 2 Tank 2" Drain Netafim AQDCL	Used with all Hydrocyclones
72002-003160	NHCAFKIT2-3NADCL	AutoFlush Kit for 3 Tank 2" Drain Netafim AQDCL	Used with all Hydrocyclones



Precision Agriculture

Learn more at:
netafimusa.com



