



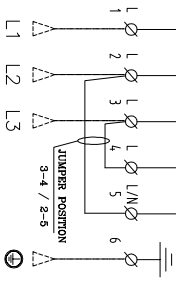
FERTTIKIT SWITCHBOARDS

FC-SWB-LUB12-CB12B-3PH 33220-001454

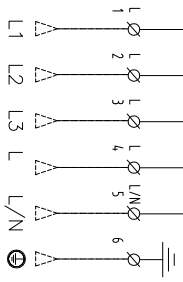
33220-001454

1	2	3	4	5	6	7	8	9
DESCRIPTION:		FC-SWB-LUB12-CB12B-3PH 33220-001454		WORK NO:		DES:		DATE:
SAP NUMBER:		33220-001454		APPROVED:	PLANNER:	DRAWN:	SHEET:	UPDATE1:
				M. RAZI	AAMER	OF:	1	
							7	UPDATE2:
								19.09.16

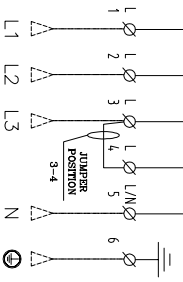




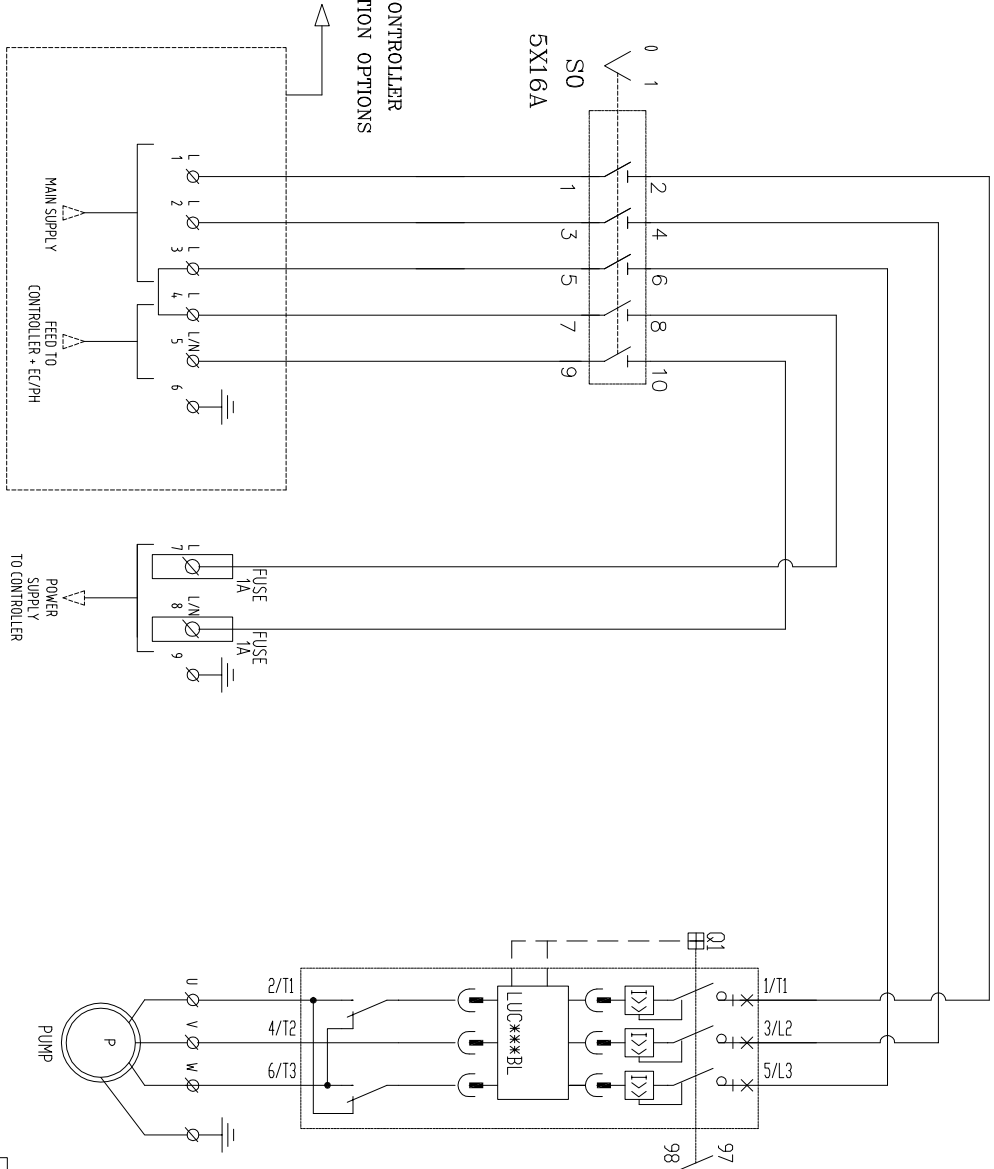
3X220V CONTROLLER 230V



3X440V CONTROLLER EXTERNAL 230V/115V
 3X220V NO JUMPER



3X400V CONTROLLER 230V
 3X220V CONTROLLER 115V



SEE CONTROLLER CONNECTION OPTIONS

O.L motor protection

SEE CONNECTION OPTIONS IN THE NEXT PAGE

VOLTAGE	3X200-220V	3X400-440V
LUCB 12B 3-12A	3.5kW	7kW

1 2 3 4 5 6 7 8 9

DESCRIPTION:

FC-SWB-LUB12-CB12B-3PH 33220-001454

WORK NO:

APPROVED:

SAP NUMBER:

33220-001454

PLANNER:

M. RAZI

DRAWN:

AAMER

SHEET:

2

DES:

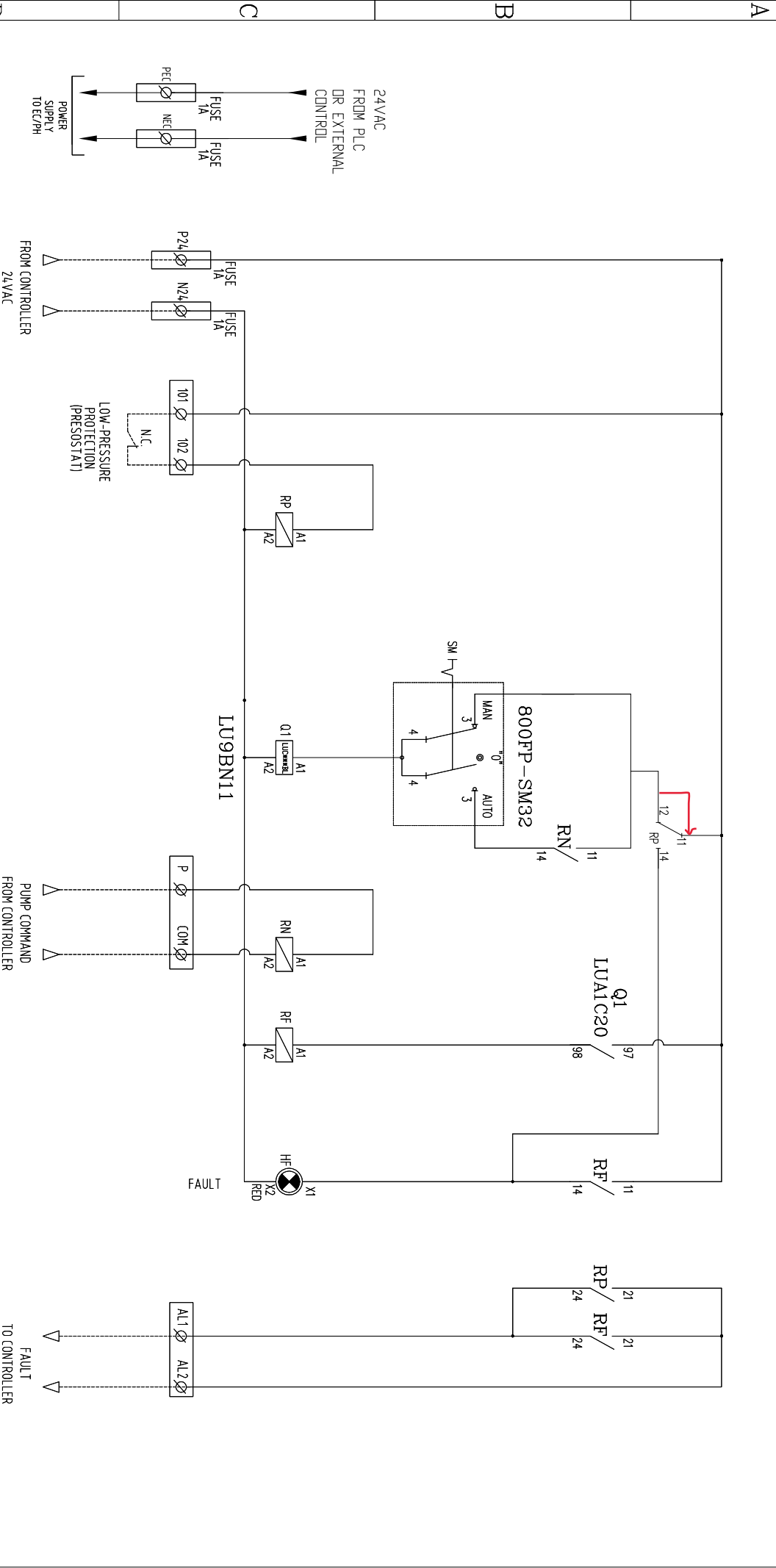
DATE:

19.09.16

UPDATE1:

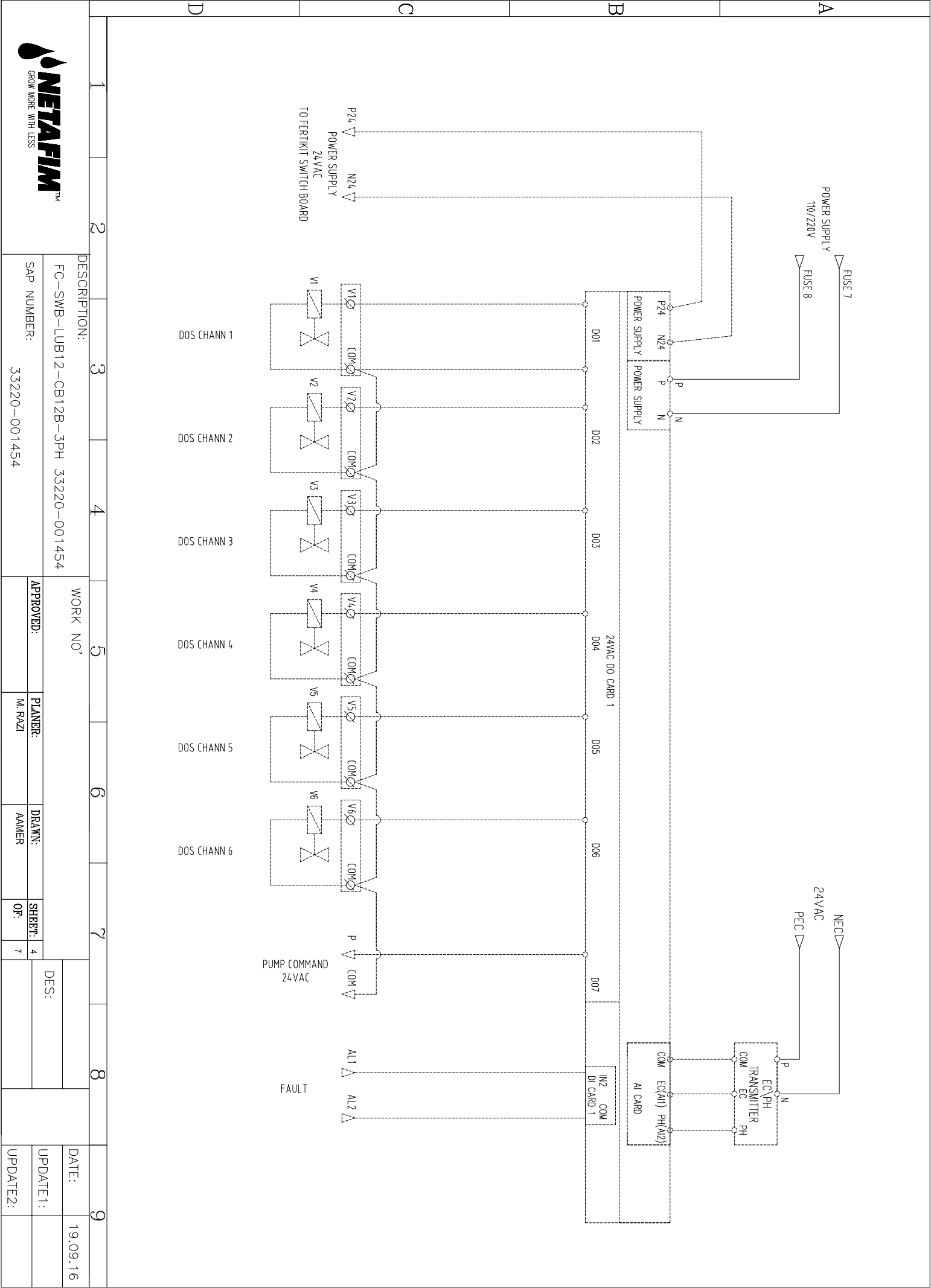
UPDATE2:





1	2	3	4	5	6	7	8	9
DESCRIPTION:				WORK NO:		DES:		DATE:
FC-SWB-LUB12-CB12B-3PH 33220-001454								19.09.16
SAP NUMBER:				APPROVED:		DRAWN:		UPDATE1:
33220-001454				M. RAZI		AAMER		UPDATE2:
				PLANNER:		SHEET:		
				M. RAZI		3		
				OP:		7		

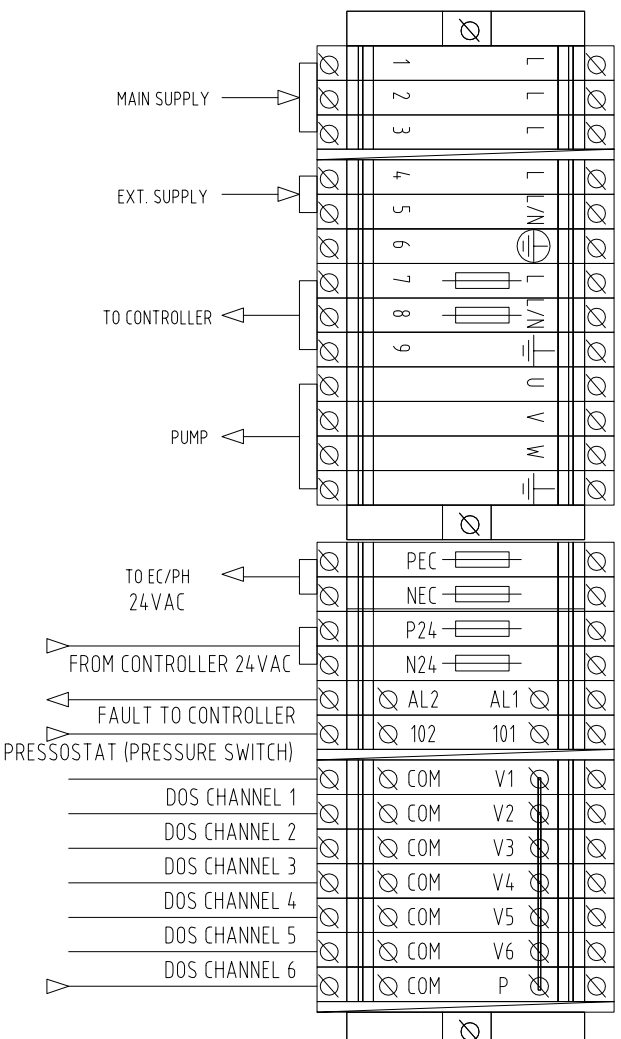




1	2	3	4	5	6	7	8	9
DESCRIPTION:		FC-SWB-LUB12-CB12B-3PH 33220-001454		WORK NO:		DES:		DATE:
SAP NUMBER:		33220-001454		APPROVED:		DRAWN:		UPDATE1:
				M. RAZI		AAMER		UPDATE2:
				SHEET:		OP:		
				4		7		

TERMINAL LIST X1

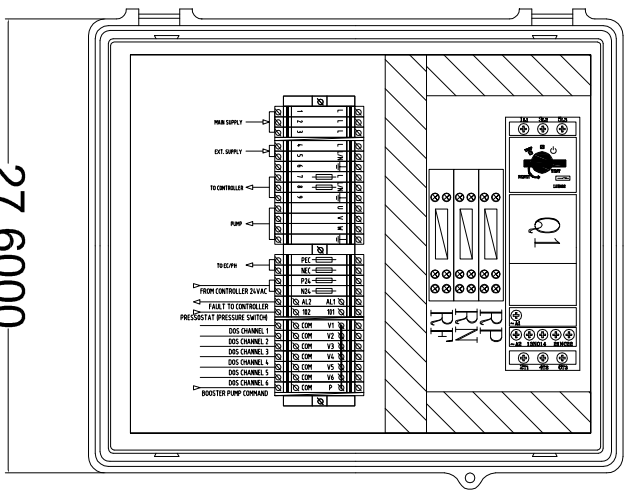
TERMINAL BLOCK	VOLTAGE	TERM SYMBOL	TERM COLOR	WIRE COLOR	TERM SECTION
MODULAR	220-440V	L1,L2,L3	GRAY	BROWN	4 M ² M
MODULAR	110-220V	L4	BLACK	BLACK	4 M ² M
MODULAR	110-220V	L/N	BLUE	BLUE	4 M ² M
GROUND	GND		YELLOW/GR	YELLOW/GR	4 M ² M
MODULAR	220-440V	U,V,W	GRAY	BROWN	4 M ² M
WITH LED FUSE	24VAC	L7,BL/AL10,11L/N	BLACK	BLACK	4 M ² M
WITH LED FUSE	24VAC	10L/N, 12L/N	BLACK	BROWN	4 M ² M
WITH LED FUSE	24VAC	P24	BLACK	WHITE	4 M ² M
WITH LED FUSE	24VAC	N24	BLACK	GRAY	4 M ² M
Double-level	24VAC	101-104	GRAY	WHITE	4 M ² M
Double-level	24VAC	AL1-AL2	GRAY	WHITE	4 M ² M
Double-level	24VAC	V1-V6	GRAY	WHITE	4 M ² M
Double-level	24VAC	COM	GRAY	GRAY	4 M ² M



1	2	3	4	5	6	7	8	9
DESCRIPTION:				WORK NO:				DATE:
FC-SWB-LUB12-CB12B-3PH 33220-001454				M. RAZI				
SAP NUMBER:				DRAWN:				UPDATE1:
33220-001454				AAMER				UPDATE2:
				SHEET:				
				OF:				
				DES:				

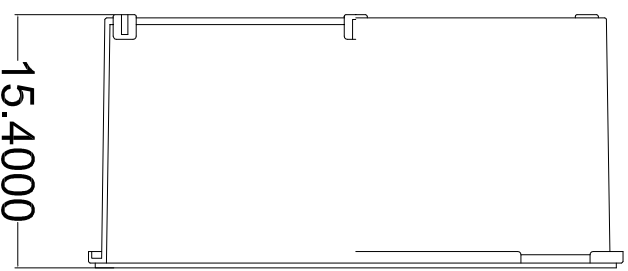


FRONT VIEW



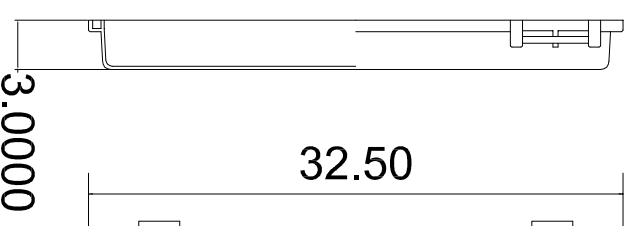
27.6000

BODY



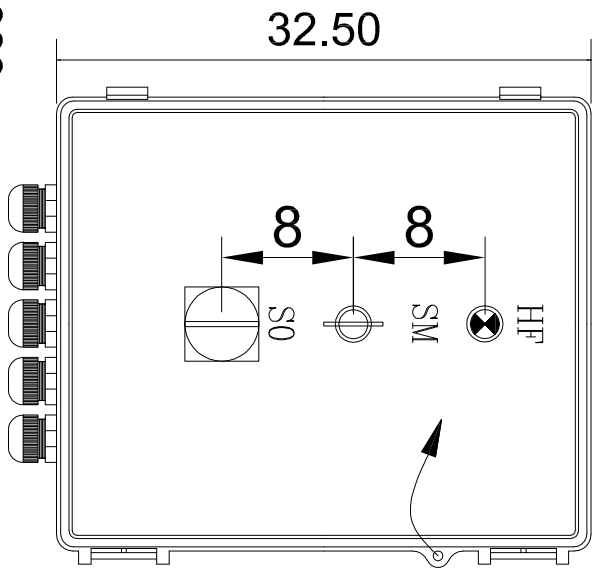
15.4000

COVER

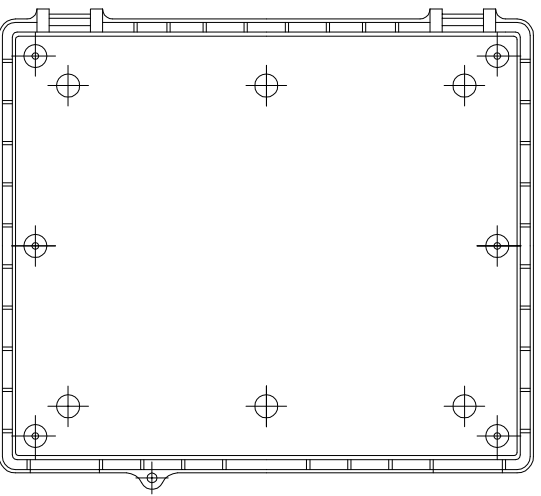


3.0000

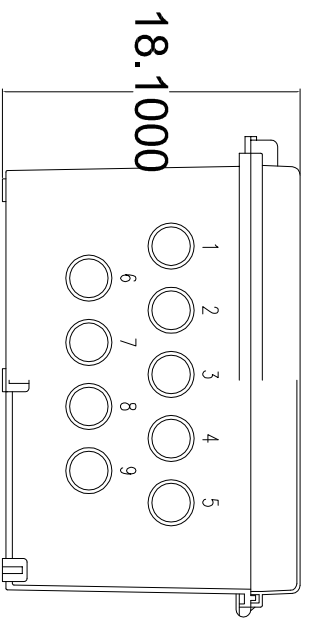
COVER VIEW



BACK VIEW



BOTTOM VIEW



18.1000

PG LIST

1-5,9	PG 16
6-8	PG 13.5

1 2 3 4 5 6 7 8 9



DESCRIPTION:

FC-SWB-LUB12-CB12B-3PH 33220-001454

SAP NUMBER:

33220-001454

WORK NO:

APPROVED:

PLANNER:

DRAWN:

SHEET:

DES:

DATE:

UPDATE1:

UPDATE2:

19.09.16

A

EQUIPMENT LIST

TYPE / MODEL	TECHNICAL DATA	CAT NUMBER	MANUFACTURER	ACCESSORY	SYMBOL
194L-E16-1755	5X16A	ON REQUEST	ALLEN BRADLEY	MAIN SWITCH	S0
LUB12	12A	ON REQUEST	TELEMECANIQUE	BREAKER BASE	Q1
LUA1C20	N.O.	ON REQUEST	TELEMECANIQUE	FAULT AUX. CONTACT + TERMINALS	
LUCB 12B	3-12A 3X200-480V COMMAND 24VAC	77100-013600	TELEMECANIQUE	BREAKER OVERLOAD PROTECTION	
800FP-SM32	6A	ON REQUEST	ALLEN BRADLEY	SELECTOR SWITCH	SM
28-33-518	24VAC	28-33-518	PHOENIX CONTACT	RELAY	RP
28-33-518	24VAC	28-33-518	PHOENIX CONTACT	RELAY	RN
28-33-518	24VAC	28-33-518	PHOENIX CONTACT	RELAY	RF
UK5-HESI	1A	ON REQUEST	PHOENIX CONTACT	TERMINAL WITH LED FUSE	FUSE
UK5-HESI	250MA-T	ON REQUEST	PHOENIX CONTACT	TERMINAL WITH LED FUSE	FUSE
PL16-22D	LED-24VAC-RED	ON REQUEST	SALZER	INDICATOR LAMP	HF
NE-PG-2530	276 X 184 X 325 mm	ON REQUEST	DSE-HIBOX	ELEC. BOARD	
179 1201	GLASS 5X20mm-1AT	77100-000470	SIBA	SPARE FUSE	

D

1

2

3

4

5

6

7

8

9

DESCRIPTION:

FC-SWB-LUB12-CB12B-3PH 33220-001454

WORK NO:

DES:

DATE: 19.09.16

UPDATE1:

SAP NUMBER:

33220-001454

APPROVED:

PLANNER:

DRAWN:

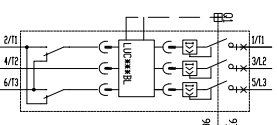
SHEET:

OP:

UPDATE2:



ELECT-SYMBOL



LUB UNIT

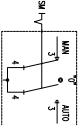
RELAY

DOS SOLENOID

BOOSTER PUMP

MAIN SWITCH

SELECTOR



FUSE TERMINAL

MODULAR TERMINAL

DOUBLE-LEVEL TERMINAL

TERMINAL

INTERNAL WIRE

EXTERNAL WIRE

RELATED CONTACT