

SCAN-KLEEN SCREEN FILTERS

**QUICK AND EASY MANUAL CLEANING
WITHOUT FLOW INTERRUPTION**



4" OR 6" TWIN SCAN-KLEEN



**3" OR 4" ANGLE
SCAN-KLEEN**

PRODUCT ADVANTAGES

- Easy to clean - no need to manually disassemble, clean screen and reassemble the filter.
- Water flow to the field is not interrupted during cleaning.
- Corrosion-proof high density polypropylene will not rust or corrode like metal filters.
- Operates efficiently at varied flow rates.

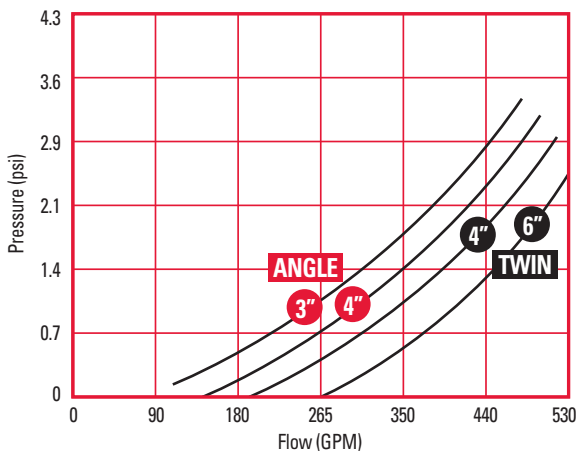
APPLICATIONS

- Primary filter on well water with small amounts of sand
- Primary filter for center pivots
- Reservoir water with small amounts of algae
- Back-up filter for:
 - Media filter batteries
 - Sand separators

SPECIFICATIONS

- Screen Mesh Sizes: 40, 80, 120, 150 and 200
- Screen: Stainless Steel
- Maximum Operating Pressure: 120 psi
- Required Minimum Pressure for Flushing: 20 psi (if less than 20 psi, install a manual valve downstream of the filter)
- Flushing Flow Rate: 50 GPM at 30 psi
- End Connections: Flanged (for victaulic connection, remove flanges, see manual for instructions)

HEADLOSS (WITH 120 MESH SCREEN)



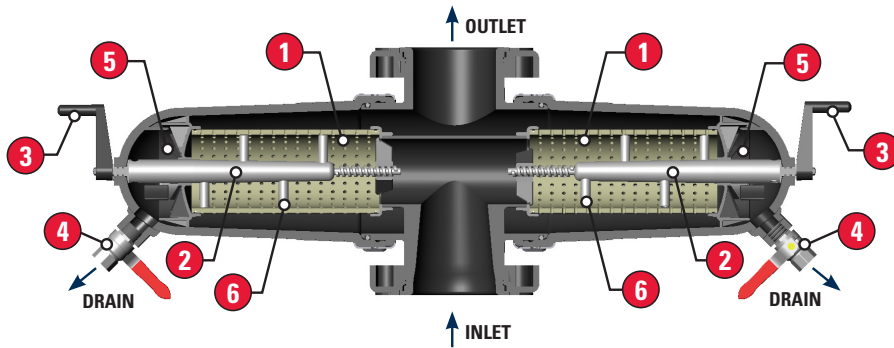
FLOW RATE AND SCREEN AREA

SIZE	MAX. FLOW RATE (GPM)	SCREEN AREA (SQ. IN.)
3" Angle	250	194
4" Angle	300	194
4" Twin	500	388
6" Twin	600	388

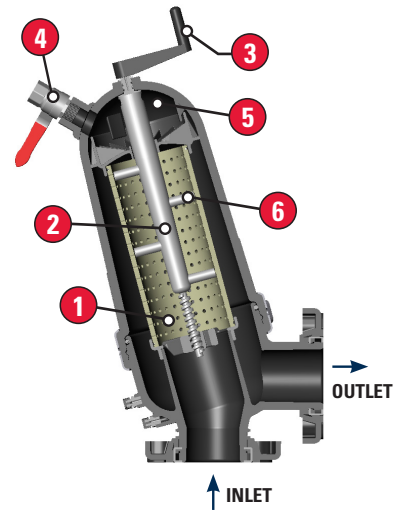
SCAN-KLEEN SCREEN FILTERS

FILTRATION OPERATION

Water enters the filter through the inlet and reaches the screen (1) which traps the particles from the water. As more water flows through, debris builds up on the screen. As debris accumulates on the screen, a pressure differential builds up between the internal and external sections of the screen.



TWIN SCAN-KLEEN



ANGLE SCAN-KLEEN

FLUSHING OPERATION

When the pressure differential reaches the determined value (7-10 psi), the filter should be cleaned. Water continues to flow through the filter during the cleaning process.

- Opening the flushing valve (4) allows water to flow out of the filter
- Suction occurs through the nozzles (6) which vacuums the debris from the screen (1) and out the drain port
- Turning the handle (3) slowly rotates the dirt collector (2) resulting in full scanning of the screen by the nozzles. Slower rotation cleans the screen more efficiently.

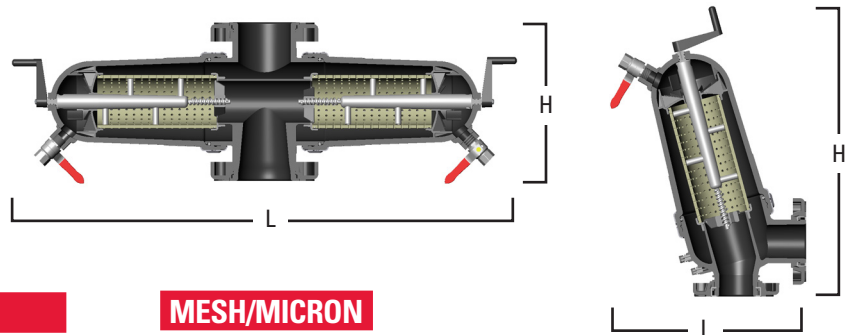
This combination of rotation and linear movement cleans the whole internal screen surface. The flushing cycle takes about 10 seconds.

COMPONENTS

KEY	DESCRIPTION
1	Screen
2	Dirt Collector
3	Handle
4	Flush Valve
5	Flush Chamber
6	Nozzles

DIMENSIONS

SIZE	HEIGHT (H)	LENGTH (L)	WEIGHT
3" Angle	31"	20"	29 lbs.
4" Angle	31"	20"	31 lbs.
4" Twin	18"	54"	58 lbs.
6" Twin	18"	54"	62 lbs.



ORDERING INFORMATION

SIZE	MESH	ITEM NUMBER	MODEL NUMBER
3" Angle	120	70640-013200	27ASCAN3-120
3" Angle	150	70640-013220	27ASCAN3-150
4" Angle	120	70640-013250	27ASCAN4-120
4" Angle	150	70640-013260	27ASCAN4-150
4" Twin	120	70640-013300	27ASCAN4T-120
4" Twin	150	70640-013320	27ASCAN4T-150
6" Twin	120	70640-013350	27ASCAN6T-120
6" Twin	150	70640-013370	27ASCAN6T-150

MESH/MICRON

MESH	MICRON
80	200
120	130
150	100

Also available with 40, 80 and 200 mesh screen.



5470 E. Home Ave. • Fresno, CA 93727
 888.638.2346 • 559.453.6800
 FAX 800.695.4753
 www.netafimusa.com