

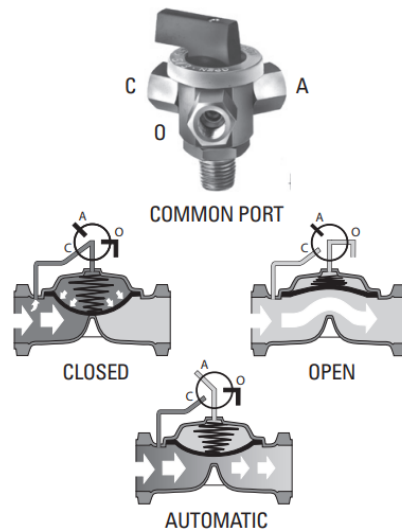
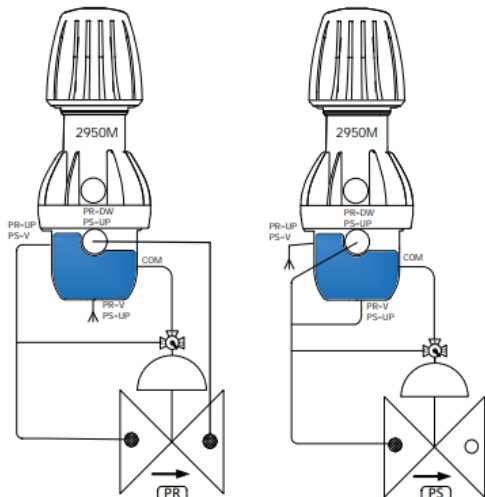
VALVES QUICK GUIDE



S100 CAST IRON VALVES					S75 NYLON VALVES			
Size	CV	Min PSI	Diaphragm #	Min PSI	Diaphragm #	CV	Min PSI	Diaphragm #
3"	200	17	32	6	5	140	6	330
434"						140	6	330
343"						290	4	370
4"	260	17	32	6	5	410	4	370
646"						410	4	370
6"	700	28	62	7	9	678	4	370

CONNECTIONS		
Port	Pressure Reducing	Pressure Sustaining
Up	Upstream	Upstream
Up	-	Upstream
Dw	Downstream	Valve CTRL Chamber
Vent	Vent	Vent

COLOR	SPRING #	PSI RANGE
Yellow	72	4 - 40
Green	54	7 - 65
Red	65	15 - 110



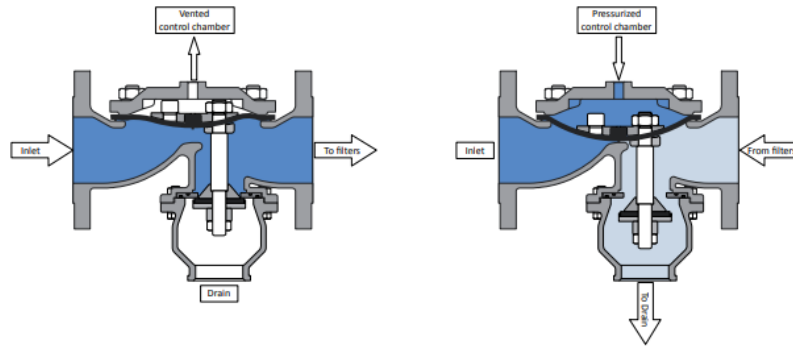
Operating Principle:

Filtration mode

Depressurized command - control chamber vents to atmosphere: The valve allows straight flow. Button drain plug is closed.

Back-flushing mode

Pressure command - control chamber is pressurized: The valve inlet is closed by the diaphragm and the bottom port opens to allow flow from the filter, out to the drain.



Filtration mode	GPM	PSI
Max Recomend Flow	705	
Flow Rate Factor (CV)	185	
Pressure Range		10 - 150
Backflush mode		
Max Recomend Flow	400	
Flow Rate Factor (CV)	81	
Pressure Range		*-150

Assemblies		
Part	Description	Cat. No.
5	Diaphragm Assembly	71680-007800
8	Seal Kit	71680-001713
9	Plug Kit	71680-001714

* Will depend on filter system requirement



Assemblies sub parts					
Part	Description	5	8	9	
5.1	Nut	+			
5.2	Top Disc	+			
5.3	Diaphragm	+			
5.4	Shaft Disc	+			
5.5	Shaft	+			
8.1	O-ring		+		
8.2	Seat		+		
8.3	O-ring		+		
9.1	Guide Cone			+	
9.2	Seal			+	
9.3	Seal Bowl			+	
9.4	Washer			+	
9.5	Nut			+	

