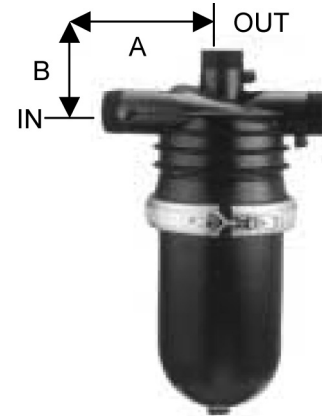


2" SUPER MANUAL DISC FILTER

INSTALLATION, OPERATION & MAINTENANCE INSTRUCTIONS

FEATURES

- A right angle reinforced plastic filter with three 2" male connections.
- Filter element consists of grooved discs, mounted on a spine, forming a cylindrical filter element.
- Clamp-on filter cover.
- Resistant to chemicals and liquid fertilizers.
- Pressure testing ports at filter's inlet and outlet.
- Available filtration grades: 040, 080, 120, 140 and 200.



TECHNICAL DATA	
FLOW RANGE	40 - 120 GPM
MAXIMUM PRESSURE	140 psi
FILTERING SURFACE AREA	148 sq. in.
FILTERING VOLUME	75 cu. in.
LENGTH	19 13/32"
WIDTH	7 5/8"
WEIGHT	13.2 lbs.
DISTANCE BETWEEN ENDS	A = 5 2/3" B = 3 1/3"
INLET/OUTLET DIAMETER	2" Male
MAXIMUM TEMPERATURE	158° F
pH	5 - 11

MESH/MICRON		
MESH	MICRON	DISC COLOR
040	400	Blue
080	200	Yellow
120	130	Red
140	115	Black
200	55	Green

INSTALLATION

1. Mount filter horizontally for normal filtration.
2. Use Teflon tape on filter threads - Do Not Use Pipe Dope.
3. Ensure correct inlet/outlet direction.
4. When connecting filter to pipe, do not overtighten.

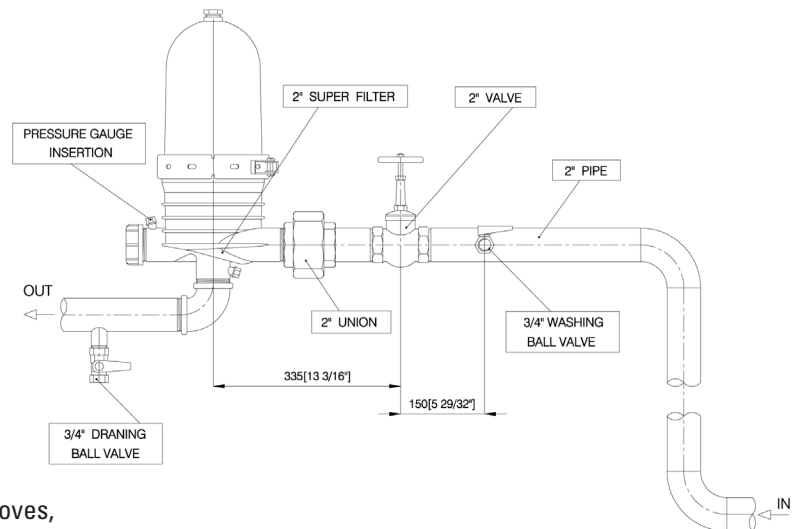
MAINTENANCE AND CLEANING

DISMANTLING

1. Ensure system is turned off and no pressure remains in the pipeline or the filter.
2. Open clamp and remove filter cover from filter body.
3. Release the tightening nut slightly.
4. Pull out entire filter element.
5. Unscrew the tightening nut, pull out the spine extension and proceed with cleaning.

CLEANING

1. Flush discs with pressurized water.
2. If discs are not clean after flushing with water:
 - a. If the discs have an accumulation of algae in the grooves, soak the discs and spine in a small bucket of Clorox bleach for one hour and then reflush with fresh water.
 - b. If the discs have an accumulation of iron in the grooves, soak the discs and spine in a small bucket of 10% Muriatic Acid for one hour and then reflush with fresh water. Muriatic Acid can be purchased at any pool supply store.



MAINTENANCE AND CLEANING

ASSEMBLY

1. If previously removed, assemble rings on spine and turn fixing nut clockwise to tighten.
2. Insert filter element and make sure it is seated correctly.
3. Turn fixing nut clockwise to tighten the filter element.
4. Replace cover.
5. Close safety catch on the clamp, place clamp on closing edge and close the safety catch.

WINTERIZATION

Drain all the water from the filter to avoid cracking due to freezing.

PARTS BREAKDOWN - 2" SUPER FILTER

KEY	MODEL NUMBER	DESCRIPTION	MATERIALS
1	25AP50060004	GAUGE PORT SEAL	EPDM
2	25AP25110103	GAUGE PORT NUT	R.PP
3	25AP532141	O-RING 2-146	EPDM
4	25AP25030210	SPINE BASE	R.PP
5	25AP533124	FASTENING BOLTS	SS
6	25AP532240	O-RING 2-234	EPDM
7	-	SPINE (OUTER CAGE ONLY)	PP
8	25AP49-***S	RING SET ONLY	PP
9	25AP25060211	FIXING NUT	R.PP
10	25AP50401012	FASTENING SCREW	SS
11	25AP533131	CLAMP	SS
12	25AP532140	COVER SEAL	EPDM
13	25AP22020022	FILTER COVER	R.PA
14	25AP50540212	1/2" TAP	BRASS
15	25AP49-***SDS	RING SET WITH SPINE	PP
16	25AP232211	FILTER BODY	-

Substitute *** for proper mesh size.

MATERIALS KEY

CODE	MATERIAL
SS	STAINLESS STEEL
PP	POLYPROPYLENE
R.PP	REINFORCED POLYPROPYLENE
R.PA	REINFORCED POLYAMIDE
EPDM	ETH. PROPY. RUBBER

