

NETAFIM™

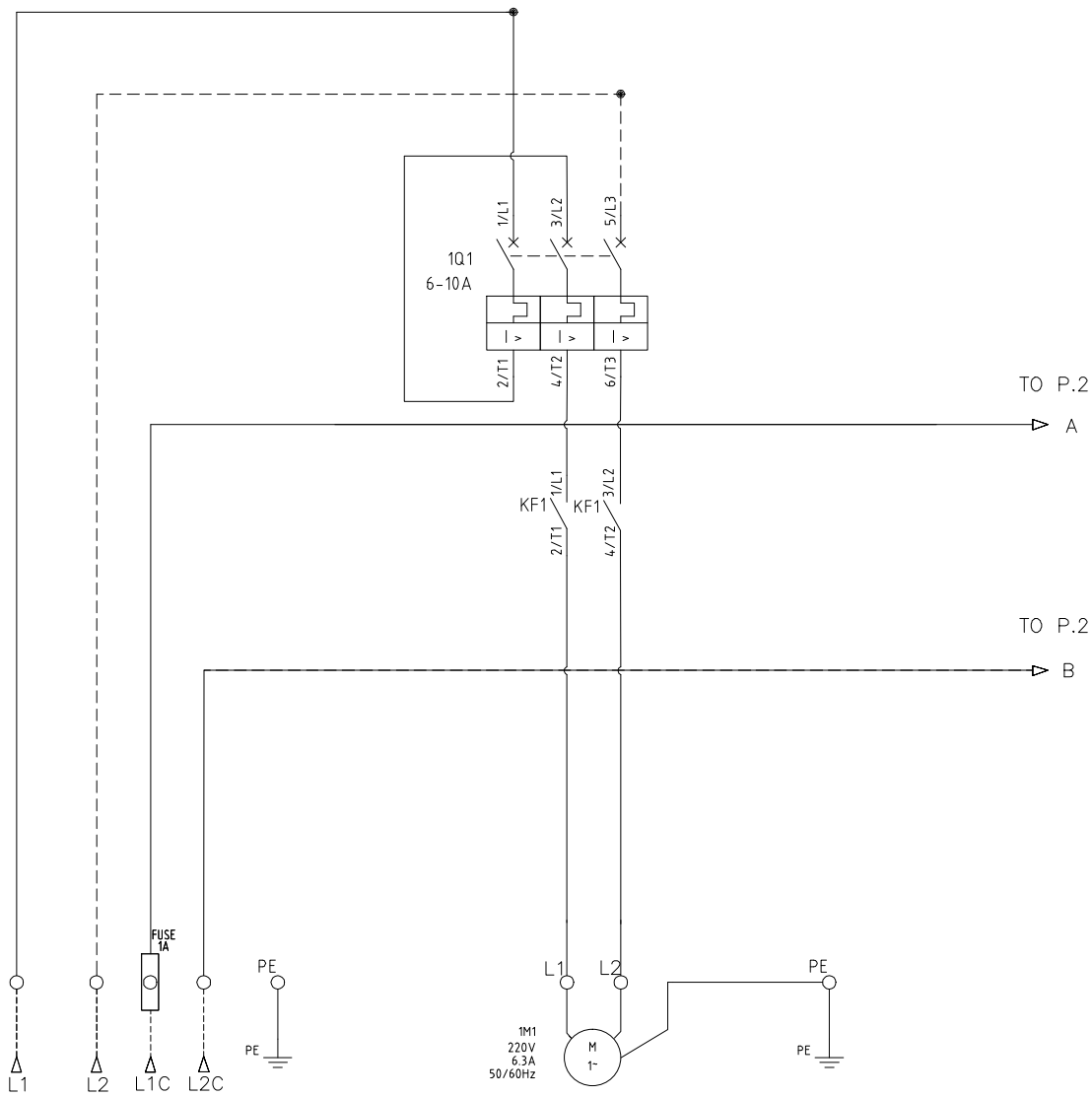
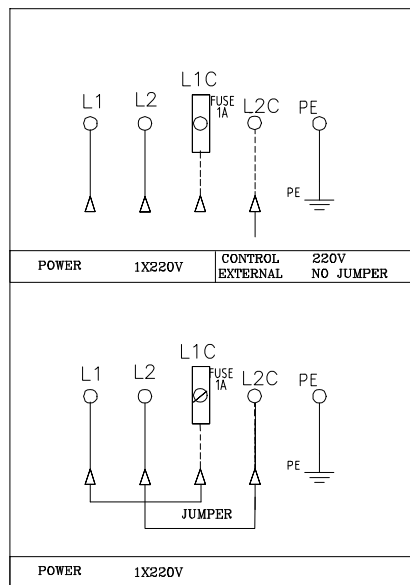
GROW MORE WITH LESS

FTOAUS-SWB 1X220V 6.3A 1.3kW
77120-003370



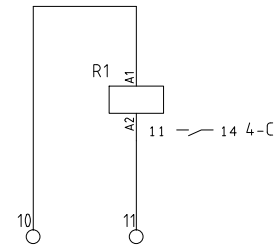
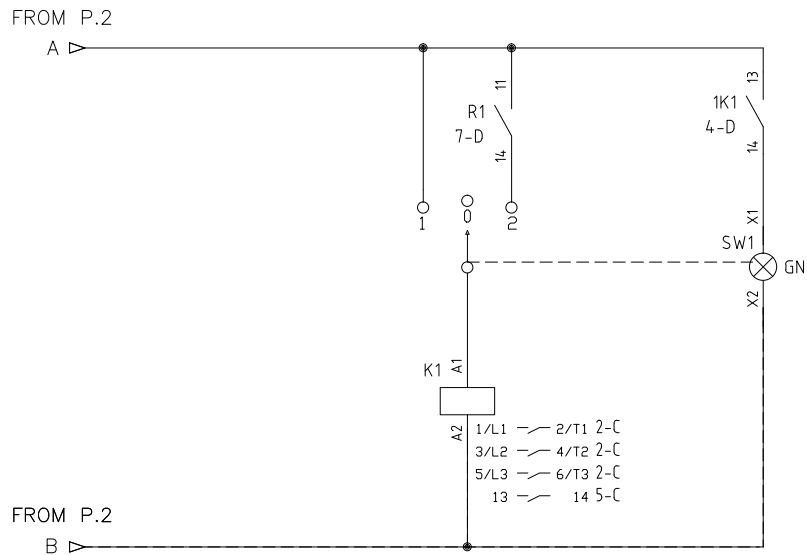
| | | | | | |
|--------------------------|--|-------------------|-----|------------|----------|
| Page: 1 | Project: FTOAUS-SWB 1X220V 6.3A 1.3kW | Job No.: | No. | Date | Revision |
| Of: 7 | | Customer: NETAFIM | | 16.02.2019 | |
| Scale: | SAP NUMBER: 77120-003370 | Planner: M. RAZI | | 11.03.2019 | 01 |
| | | Drawer: M.J | | | |
| Desc: Electrical Diagram | | Engineer: M. RAZI | | | |

Drawing Date:

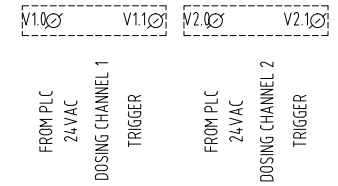


| | | | | |
|--|--|---|-----------------------------|----------------|
| Page: 2 Of: 7 Scale: Desc: Front View | Project: FTOAUS-SWB 1X220V 6.3A 1.3kW | Job No.: Customer: NETAFIM Planner: M. RAZI Drawer: M.J Engineer: M. RAZI | No. Date Date Date | Revision 01 |
| | SAP NUMBER: 77120-003370 | | | |
| | | | | |
| | | | | |
| | | | | |

Drawing Date:



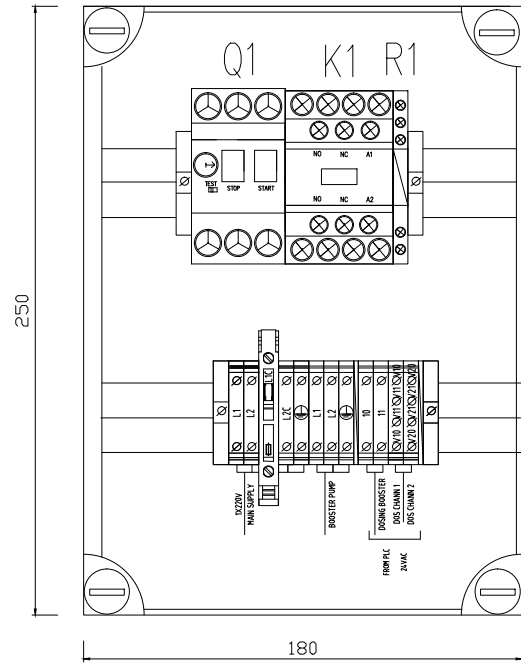
DOSING BOOSTER
AUTO SWITCH
TRIGGER



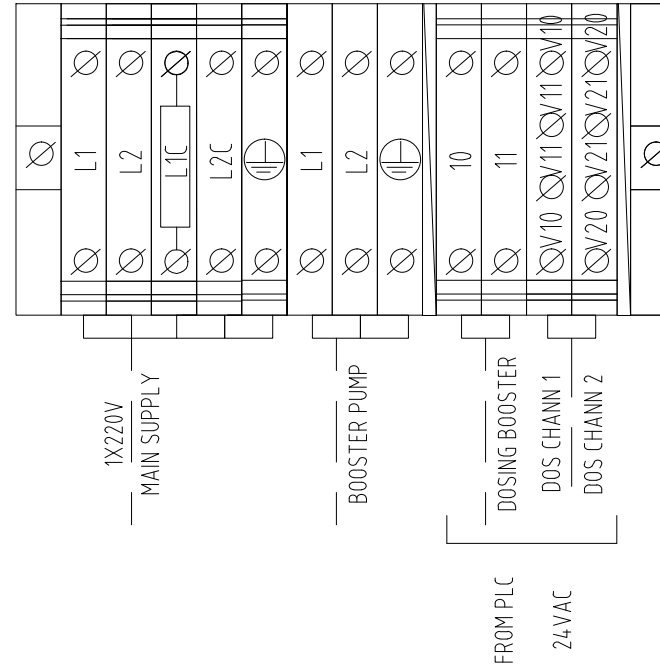
| | | | | | |
|------------------|--|-------------------|-----|------------|----------|
| Page: 3 | Project: FTOAUS-SWB 1X220V 6.3A 1.3kW | Job No.: | No. | Date | Revision |
| Of: 7 | | Customer: NETAFIM | | 16.02.2019 | |
| Scale: | SAP NUMBER: 77120-003370 | Planner: M. RAZI | | 11.03.2019 | 01 |
| Desc: Front View | | Drawer: M.J | | | |
| | | Engineer: M. RAZI | | | |

Drawing Date:

FRONT VIEW



TERMINALS VIEW



| | | | | | |
|----------------------------|---------------------------------------|-------------------|-----|------------|----------|
| Page: 4 Of: 7 Scale: | Project: FTOAUS-SWB 1X220V 6.3A 1.3kW | Job No.: | No. | Date | Revision |
| | SAP NUMBER: 77120-003370 | Customer: NETAFIM | | 16.02.2019 | |
| | Desc: Front View | Planner: M. RAZI | | 11.03.2019 | 01 |
| | | Drawer: M.J | | | |
| | | Engineer: M. RAZI | | | |

Drawing Date:

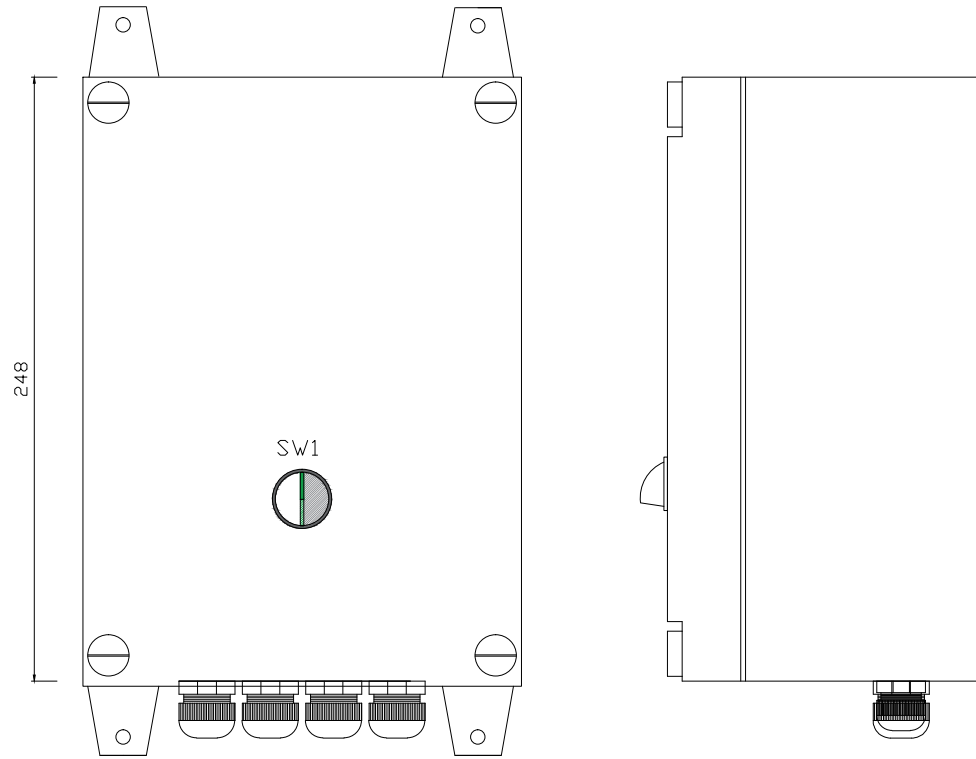
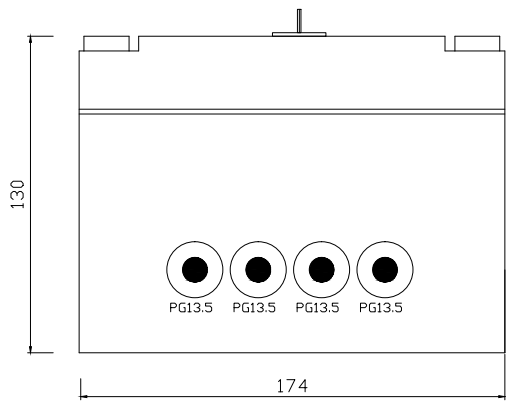
EQUIPMENT'S LIST


| REMARKS | TECHNICAL DATA | TYPE / MODEL | MANUFACTURER | ACCESSORY | SYMBOL |
|---------|------------------|---------------------------|--------------|-----------------|--------|
| | 6-10A | GV2M14 | SCHNEIDER | CIRCUIT BREAKER | 1Q1 |
| | 4KW / 220-110VAC | AF09 | SCHNEIDER | CONTACTOR | 1K1 |
| | 0.5A | DF101 | SCHNEIDER | FUSE | 1F1 |
| | + LED 220-100VAC | SA22-AK1335 | SALZER | SELECTOR SWITCH | SW1 |
| | | 700-HLT14 CAT 700TBR24 | ALLEN-BRADLY | RELY | R1 |
| | 248/174/130 | CI | ADA | BOX | CI |



| | | | | | |
|----------------------------|---------------------------------------|-------------------|-----|------------|----------|
| Page: 5 Of: 7 Scale: | Project: FTOAUS-SWB 1X220V 6.3A 1.3kW | Job No.: | No. | Date | Revision |
| | SAP NUMBER: 77120-003370 | Customer: NETAFIM | | 16.02.2019 | |
| | | Planner: M. RAZI | | 11.03.2019 | 01 |
| | | Drawer: M.J | | | |
| | | Engineer: M. RAZI | | | |
| Desc: Front View | | Drawing Date: | | | |

COVER VIEW

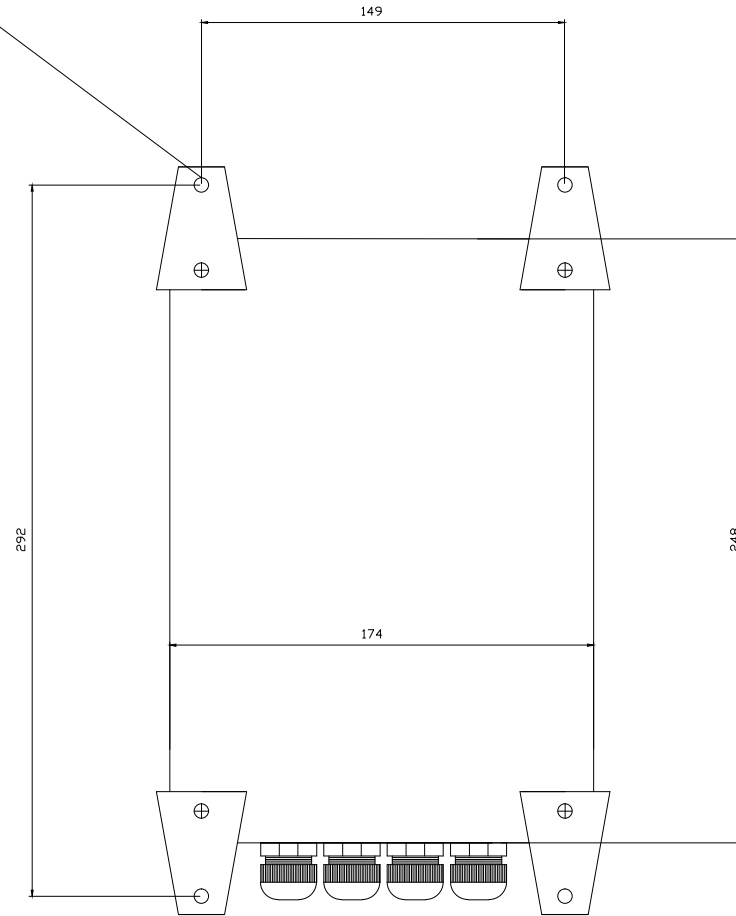


| | | | | | | |
|--|------------------|---------------------------------------|-------------------|-----|------------|----------|
|  | Page: 6 | Project: FTOAUS-SWB 1X220V 6.3A 1.3kW | Job No.: | No. | Date | Revision |
| | Of: 7 | | Customer: NETAFIM | | 16.02.2019 | |
| | Scale: | SAP NUMBER: 77120-003370 | Planner: M. RAZI | | 11.03.2019 | 01 |
| | | | Drawer: M.J | | | |
| | Desc: Cover View | | Engineer: M. RAZI | | | |

Drawing Date:

Rear view with hanging ears

6 mm



| | | | | | | |
|------------------|--|-----------------------------|------------------|------------|------------|----|
| Page: 7 | Project: FTOAUS-SWB 1X220V 6.3A 1.3kW | Job No.: | No. | Date | Revision | |
| | | Customer: NETAFIM | | 16.02.2019 | | |
| | Of: 7 | SAP NUMBER: 77120-003370 | Planner: M. RAZI | | 11.03.2019 | 01 |
| | | | Drawer: M.J | | | |
| Scale: | | Engineer: M. RAZI | | | | |
| Desc: Cover View | | | | | | |

Drawing Date: