

N E T A F I M U S A

# LANDSCAPE & TURF PARTS PRICE LIST

UPDATED: FEBRUARY 1, 2025



[WWW.NETAFIMUSA.COM](http://WWW.NETAFIMUSA.COM)



# TABLE OF CONTENTS

Terms and Conditions of Sale .....	4
Backflush Controllers .....	5
3/4" Manual Disc Filter Parts .....	6
1" and 1 1/2" Manual Disc Filter Parts .....	6
2" Dual HP Manual Disc Filter Parts .....	7
2" Compact LP Disc-Kleen Filter Parts .....	8
2" LP Disc-Kleen Filter Parts .....	9
3" LP Disc-Kleen Filter Parts .....	10
Apollo Disc-Kleen Filter Parts .....	11
Series 80 Nylon Control Valve Actuators .....	13
Water Meter Replacement Registers .....	13
Water Meter Pulse Reed Switch .....	13
Water Meter Register Dust Covers .....	13
Water Meter Parts 3/4" to 2" Sizes .....	13
Water Meter Parts 3" to 6" Sizes - IRT Model .....	14
Water Meter Parts 3" to 6" Sizes - WST Model .....	14
Hydrometer Replacement Registers .....	15
Hydrometer Parts 1 1/2" and 2" Sizes .....	16
Hydrometer Parts 3" and 4" Sizes .....	17
Hydrometer Parts 6" Size .....	18
Hydrometer Parts 8" Size .....	19
Hydrometer Solenoids .....	21
Hydrometer Pilots .....	21
Hydrometer Pilot Springs .....	21
Hydrometer Fittings .....	21
Hydrometer Accessories .....	22

# TERMS & CONDITIONS OF SALE

- MINIMUM ORDER:** Minimum order amount is \$100.00 net.
- TERMS:** All invoices are payable in U.S. Dollars, net 30 days from date of shipment, unless otherwise stated. All past due balances are subject to a finance charge at the higher of the maximum rate permitted by law, or three quarters of one percent (0.75%) monthly finance charge.
- SHIPPING DESTINATIONS:** Shipments will only be made to a Distributor's place of business.
- SHORTAGE CLAIMS:** Claims for shortage must be made within three (3) business days of receipt of goods.
- RETURN GOODS POLICY:** No merchandise may be returned without Netafim USA's written consent and authorization. Requests to return merchandise must be made within 120 days of receipt of shipment from Netafim USA and reference the Netafim USA invoice number. Any approved return must be accompanied by a return goods authorization (RGA) issued by Netafim USA, clearly marked on the exterior of the parcel, and shipped freight prepaid within 30 days of RGA issue date. All merchandise must be new, in original packaging, and in salable condition. Non-Standard, Custom or Special Order items are not eligible for return. All approved returns are subject to a 15% restocking fee. Any shipment not meeting these criteria will not be accepted.
- CREDIT:** All orders are subject to credit approval. Shipments will be held until the account has been cleared.
- PRICING:** Products are sold at prices in effect at the time of order. All pricing is subject to change without notice.
- DELIVERY:** All efforts will be made to complete an order within three (3) business days. However, these estimates are made in good faith and are subject to delays due to government restrictions, failures of our suppliers to deliver, fires, earthquakes, strikes, or other causes beyond our control.
- PRODUCT CHANGES:** Netafim USA reserves the right to redesign, alter, or modify its products at any time, without notice.
- CUSTOM ORDERS:** All custom orders or special requested products, manufactured or ordered to "non-standard" specifications will not be eligible for cancellation or return.
- WARRANTY:** Products sold and/or manufactured by Netafim Irrigation, Inc. (Netafim USA) are warranted to be free from original defects in material and workmanship for a period of one (1) year from the date of delivery.

# FILTERS

## NETAFIM BACKFLUSH CONTROLLERS

Item Number	Model Number	Description	Voltage	Price Each
00105-006200	31NBCAC2	2 Outputs with DP Sensor with mounting bracket		1743.00
00105-006210	31NBCAC4	4 Outputs with DP Sensor with mounting bracket		1880.00
00105-006220	31NBCAC6	6 Outputs with DP Sensor with mounting bracket	24VAC	2015.00
00105-006230	31NBCAC8	8 Outputs with DP Sensor with mounting bracket		2156.00
00105-006240	31NBCAC10	10 Outputs with DP Sensor with mounting bracket		2292.00
73240-003188	31NBCAC2-NB	2 Outputs with DP Sensor without mounting bracket		1594.00
73240-003184	31NBCAC4-NB	4 Outputs with DP Sensor without mounting bracket		1730.00
73240-003186	31NBCAC6-NB	6 Outputs with DP Sensor without mounting bracket	24VAC	1866.00
73240-003187	31NBCAC8-NB	8 Outputs with DP Sensor without mounting bracket		2004.00
73240-003189	31NBCAC10-NB	10 Outputs with DP Sensor without mounting bracket		2139.00
00105-006250	31NBCDCL2	2 Outputs with DP Sensor with mounting bracket		1743.00
00105-006260	31NBCDCL4	4 Outputs with DP Sensor with mounting bracket		1880.00
00105-006270	31NBCDCL6	6 Outputs with DP Sensor with mounting bracket	12VDCL	2015.00
00105-006280	31NBCDCL8	8 Outputs with DP Sensor with mounting bracket		2156.00
00105-006290	31NBCDCL10	10 Outputs with DP Sensor with mounting bracket		2292.00
73240-003175	31NBCDCL2-NB	2 Outputs with DP Sensor without mounting bracket		1594.00
73240-003178	31NBCDCL4-NB	4 Outputs with DP Sensor without mounting bracket		1730.00
73240-003179	31NBCDCL6-NB	6 Outputs with DP Sensor without mounting bracket	12VDCL	1866.00
73240-003181	31NBCDCL8-NB	8 Outputs with DP Sensor without mounting bracket		2004.00
73240-003182	31NBCDCL10-NB	10 Outputs with DP Sensor without mounting bracket		2139.00
73240-003195	31NBCACCARD	2 Output Expansion Card	24VAC	151.00
73240-003177	31NBCDCCARD	2 Output Expansion Card	12VDCL	151.00



**NOTE:** Controllers can be pre-installed on automatic disc filters for an additional fee. Call Netafim USA Customer Service for Pricing and Availability.

## NETAFIM BACKFLUSH CONTROLLER PARTS

Item Number	Model Number	Description	Price Each
73240-007360	31NBCBATTHLDR	Battery Holder	30.00
73240-007556	31NBCDCSCARD	DC Latching Set-up Card	125.00
73240-007557	31NBCCPU	AC/DC CPU Set-up Card	431.00
73240-007558	31NBCPWR110	Power Supply 110VAC	256.00
73240-010205	31NBCPDSENS	DP Sensor	296.00
70661-018000	25APCNTRLBACKPLATE	Controller Mounting Bracket	183.00



## ALEX-TRONIX BACKFLUSH CONTROLLERS

Item Number	Model Number	Outputs	Included	Voltage	Price Each
00105-001400	23AXF2ACDC-D	2	PD Gauge, Transformer	24VAC/12VDC	2415.00
00105-001700	23AXF3ACDC-D	3	PD Gauge, Transformer	24VAC/12VDC/12VDCL	2856.00
00105-002300	23AXF4ACDC-D	4	PD Gauge, Transformer	24VAC/12VDC/12VDCL	3292.00
00105-004950	23AXF8ACDC-D	8	PD Gauge, Transformer	24VAC/12VDC/12VDCL	3722.00
00105-003750	23AXF12ACDCDCLD	12	PD Gauge, Transformer	24VAC/12VDC/12VDCL	4702.00
00105-004450	23AXF3DCLSP	3	Controller, Solar Panel and Bracket		4526.00
00105-002600	23AXF4DCLSP	4	Controller, Solar Panel and Bracket	12VDCL	4956.00
00105-005220	23AXF8DCLSP	8	Controller, Solar Panel and Bracket		5408.00
00105-003760	23AXF12DCLSP	12	Controller, Solar Panel and Bracket		6255.00

**NOTE:** Controllers can be pre-installed on automatic disc filters for an additional fee. Call Netafim USA Customer Service for Pricing and Availability.

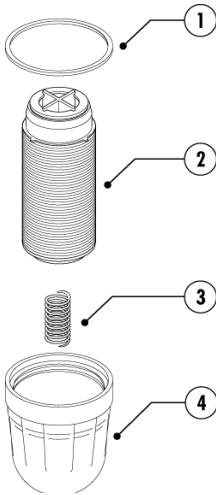
# FILTERS

## MESH MICRON EQUIVALENT

Mesh	Micron	Color
040	400	Blue
080	200	Yellow
120	130	Red
140	115	Black
200	70	Brown

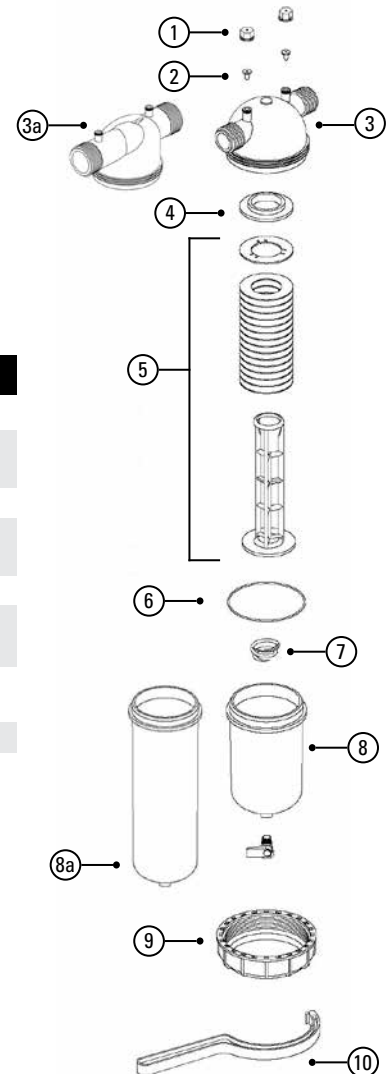
## 3/4" MANUAL DISC FILTER PARTS

Key	Item Number	Model Number	Description	Price Each
1	70620-003700	25AP530140	Cover "O" Ring	7.00
2	70620-002380	25AP46-040	Ring Set with Spine	32.00
3	70620-004720	25AP530130	Compression Spring	7.00
4	70620-001700	25AP23013	Filter Cover	26.00
-	70620-002700	25AP230112	Filter Body	39.00



## 1" AND 1 1/2" MANUAL DISC FILTER PARTS

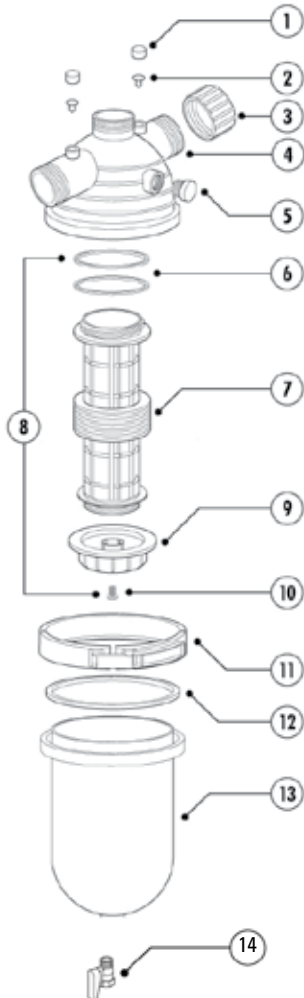
Key	Item Number	Model Number	Description	Price Each
1 & 2	74480-015800	25AP700190001305	Pressure Check Point Assembly Kit	6.09
3	70641-004000	25AP25000101	1" Regular & Long Filter Body	76.00
3a	70641-004200	25AP231511	1 1/2" Regular & Long Filter Body	91.00
4	70620-004120	25AP25070100	Filter Adapter Ring	7.00
5	70620-002500	25AP47-040	1" & 1 1/2" Regular Ring Set with Spine	68.00
	70620-002600	25AP21121-040	1" & 1 1/2" Long Ring Set with Spine	96.00
6	70620-003800	25AP531140	Cover O-Ring	9.00
7	70620-004320	25AP531130	1" & 1 1/2" Regular Compression Spring	25.00
	70620-002350	25AP50440011	1" & 1 1/2" Long Compression Spring	28.00
8	70620-001850	25AP23113	1" & 1 1/2" Regular Filter Cover	74.00
8a	70620-001900	25AP25010111	1" & 1 1/2" Long Filter Cover	82.00
9	70620-004350	25AP231131	Fixing Nut	50.00
10	70620-005000	25AP131199	Wrench for 1" & 1 1/2" Long Filters	19.00



**NOTE:** Substitute \*\*\* with desired mesh.

# FILTERS

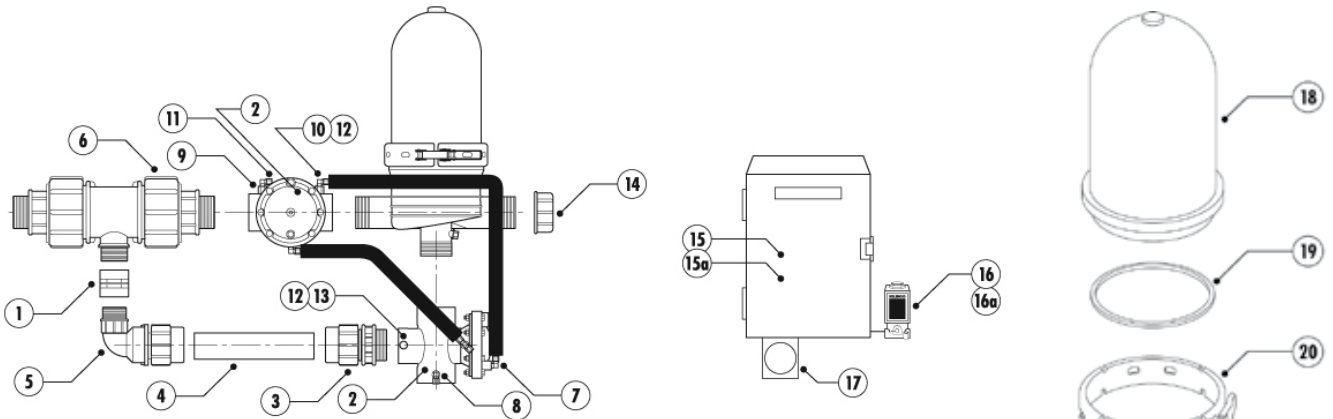
## 2" DUAL HP MANUAL DISC FILTER PARTS



Key	Item Number	Model Number	Description	Price Each
1 & 2	74480-015800	25AP700190001305	Pressure Check Point Assembly Kit	6.09
3	70620-005900	25AP332115	2" Cap	34.00
4	70641-004500	25AP25000205	Threaded Body	265.00
5	-	25AP50190112	3/4" Plug	5.46
6	70620-004050	25AP50032238	Detachable Spine O-Ring 2-238	13.00
7	70620-001380	25AP49-005S	Ring Set Only	233.00
8	70620-002650	25AP49-040SDS	Complete Spine Assembly with Rings	287.00
	70620-002648	25AP21990020	Complete Spine Assembly without Rings	104.00
9	70620-004500	25AP25060211	Fixing Nut	15.00
10	70620-004520	25AP533124	Fastening Screw	8.00
11	70620-004700	25AP533131	Clamp	119.00
12	70620-003900	25AP532140	Cover Gasket	37.00
13	70620-002100	25AP22020023	Filter Cover with 1/2" port	180.00
14	70620-003865	25AP50540212	Ball Valve 1/2"	49.35

**NOTE:** Substitute \*\*\* with desired mesh.

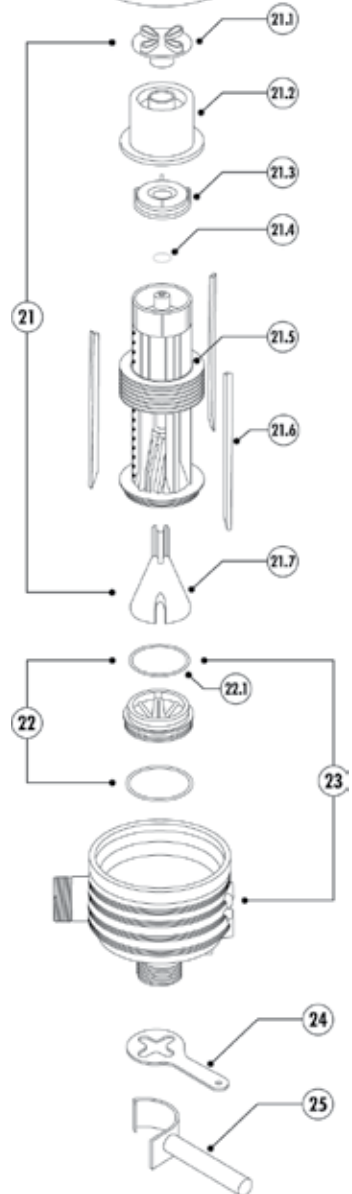
# FILTERS



## 2" COMPACT LP DISC-KLEEN FILTER PARTS

Key	Item Number	Model Number	Description	Price Each
1	75050-003500	25AP50225011	1 1/4" Coupling	23.10
2	71000-012780	61BFG2TP	2" Series 350 Plastic Backflush Valve	964.00
3	75040-012100	25AP50225042	2" Male Adapter	70.35
4	70620-008405	25AP22532265	PE Pipe	66.00
5	75040-022550	25AP50223041	90° Elbow	92.40
6	70620-007750	25AP18990051	Diverter Screen Filter	999.00
7	76400-004505	55P4714804-B	8 mm x 1/4" x 8 mm Tee (Bag 10)	75.30
8	76400-003503	55P4694804-B	1/4" x 8mm Angle Fitting (Bag 10)	59.40
9	71680-014170	61SF25P	1/4" Finger Filter	25.00
10	76400-003410	55P4694802-B	1/8" x 8 mm Angle Fitting (Bag 10)	59.40
11	76400-006310	55P1220204-B	1/4" Double Nipple (Bag 10)	21.20
12 & 13	74480-015800	25AP700190001305	Pressure Check Assembly Kit	6.09
14	70620-005900	25AP332115	2" Cap	34.00
15	00105-001400	23AXF2ACDC-D	AC Backflush Controller	2415.00
15a	00105-001550	23AXF2DCL-P	DC Latching Backflush Controller	1896.00
16	71000-019400	61ARK12VDCL-MO	12VDC Latching Solenoid	369.00
16a	70800-003260	61BBC-024	24VAC Solenoid	262.00
17	00105-003200	23GALPD	PD Gauge	1305.00
18	70620-002302	25AP25016220	Filter Cover (Grey)	180.00
19	70620-003900	25AP532140	Hydraulic Seal	37.00
20	70620-004700	25AP533131	Clamp	119.00
21	70620-007403	25AP21991002LC	Spine Complete without Rings	706.00
21	70620-007412	25AP21991008LC6	Spine Complete without Rings - Low Flow	706.00
21.1	70620-006010	25AP25066224G	Green Butterfly Nut	34.00
21.2	70620-007390	25AP25060226	Tightening Cylinder	67.00
21.3	70620-006452	25AP25300217N	White Piston	46.00
21.4	70620-004106	25AP50032115	O-Ring	9.00
21.5	-	25AP20221-***DK	Ring Set Only	223.00
21.6	70620-005850	25AP50760009	Abrasion Shield (High Flow Model Only)	8.19
21.7	70620-007050	25AP50060008	Cone Membrane	142.00
22	70620-006050	25AP22340324	Complex Adapter	65.00
22.1	70620-004150	25AP532240	O-Ring 2-234	19.00
23	70620-003286	25AP22002206	Body - Threaded Connection (Grey)	283.00
24	70620-007900	25AP50760028	Butterfly Nut Wrench	67.00
25	70620-008000	25AP133499	Spine Wrench	177.00

NOTE: Substitute \*\*\* with desired mesh.





# FILTERS

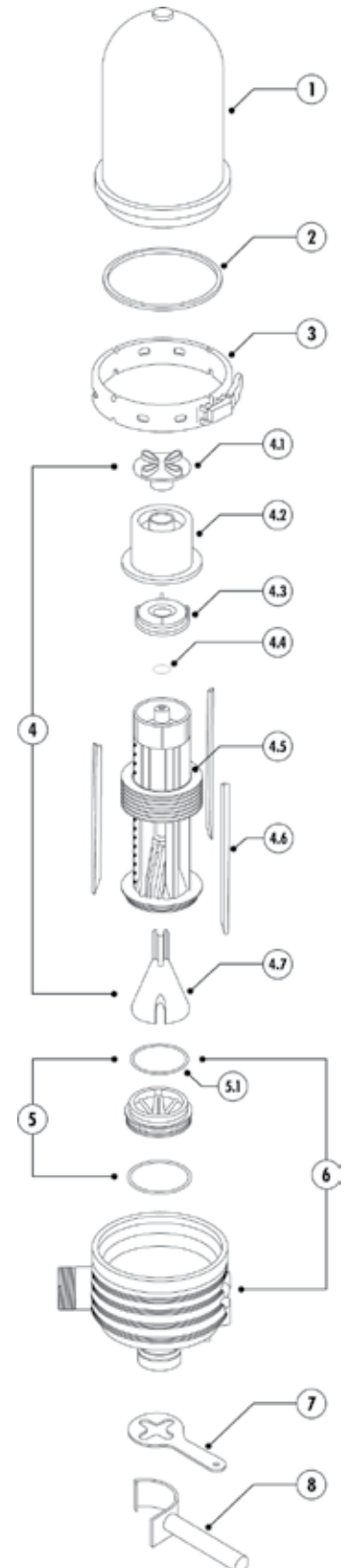
## 2" LP DISC-KLEEN FILTER PARTS

Key	Item Number	Model Number	Description	Price Each
1	70620-002302	25AP25016220	Filter Cover (Grey)	180.00
1a	70620-002320	25AP333132C	Filter Cover Clear (for demo only)	237.00
2	70620-003900	25AP532140	Hydraulic Seal	37.00
3	70620-004700	25AP533131	Clamp	119.00
4	70620-007403	25AP21991002LC	Spine Complete without Rings	706.00
4.1	70620-006010	25AP25060224G	Green Butterfly Nut	34.00
4.2	70620-007390	25AP25060226	Tightening Cylinder	67.00
4.3	70620-006452	25AP25300217N	White Piston	46.00
4.4	70620-004106	25AP50032115	O-Ring	9.00
4.5	70620-001665	25AP20221-040DK	Ring Set Only	233.00
4.6	70620-005850	25AP50760009	Abrasion Shield (HP Applications)	8.19
4.7	70620-007050	25AP50060008	Cone Membrane	142.00
5	70620-006050	25AP22340324	Complex Adapter	65.00
5.1	70620-004150	25AP532240	O-Ring 2-234	19.00
6	70620-003282	25AP22246253	Body - Victaulic Connection (Grey)	267.00
7	70620-007900	25AP50760028	Butterfly Nut Wrench	67.00
8	70620-008000	25AP133499	Spine Wrench	177.00
-	70620-011500	27AP5B00000024	Controller Mounting Bracket	134.00

## BACKFLUSH VALVE FOR 2" LP DISC-KLEEN FILTERS

Item Number	Model Number	Description	Price Each
71000-012780	61BFG2TP	2" Series 350 Plastic Backflush Valve	964.00

Visit [www.netafimusa.com](http://www.netafimusa.com) for backflush valve replacement parts.

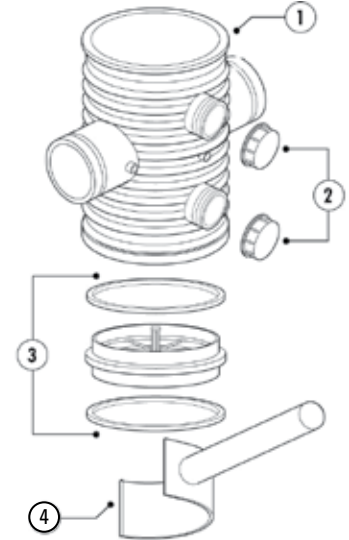


**NOTE:** Substitute \*\*\* with desired mesh.

# FILTERS

## 3" LP DISC-KLEEN FILTER PARTS

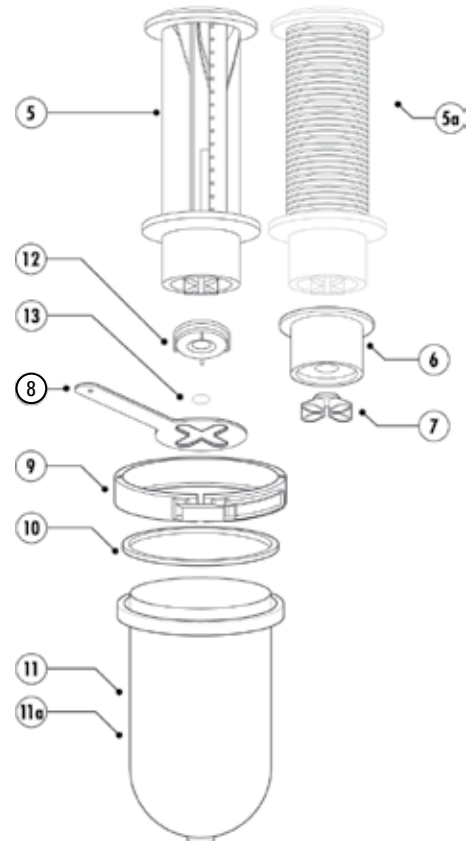
Key	Item Number	Model Number	Description	Price Each
1	70620-003429	25AP25006303	Body (Grey)	960.00
2	70620-005900	25AP332115	2" Cap	34.00
3	70620-006050	25AP22340324	Spine Adapter with O-Rings	65.00
4	70620-008000	25AP133499	Spine Wrench	177.00
5	70620-007403	25AP21991002LC	Spine Complete without Rings	706.00
5a	70620-001665	25AP20221-040DK	Ring Set Only	233.00
6	70620-007390	25AP25060226	Tightening Cylinder	67.00
7	70620-006010	25AP25060224G	Green Butterfly Nut	34.00
8	70620-007900	25AP50760028	Butterfly Nut Wrench	67.00
9	70620-004700	25AP533131	Clamp	119.00
10	70620-003900	25AP532140	Cover O-Ring	37.00
11	70620-002302	25AP25016220	Filter Cover (Grey)	180.00
11a	70620-002320	25AP333132C	Filter Cover Clear (for demo only)	237.00
12	70620-006452	25AP25300217N	White Piston	46.00
13	70620-004106	25AP50032115	O-Ring	9.00
-	70620-011500	27AP5B00000024	Controller Mounting Bracket	134.00



## BACKFLUSH VALVES FOR 3" LP DISC-KLEEN FILTERS

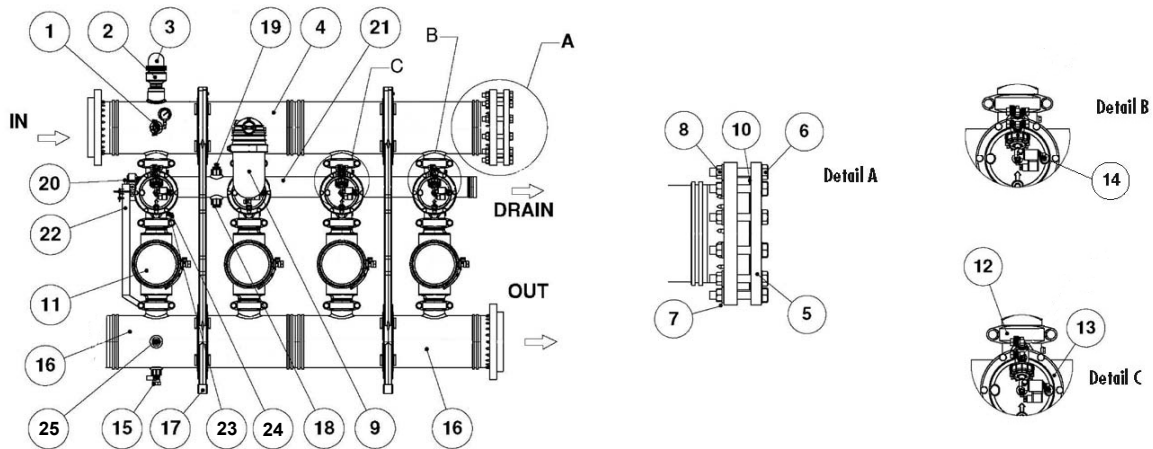
Item Number	Model Number	Description	Price Each
71000-013360	61BFG3PB	3" Series 350 Plastic Backflush Valve	1,022.00
71600-006750	61BFG3PSK	3" Plaslite® Plastic Backflush Valve	1,106.00

Visit [www.netafimusa.com](http://www.netafimusa.com) for backflush valve replacement parts.



**NOTE:** Substitute \*\*\* with desired mesh.

# FILTERS



## APOLLO DISC-KLEEN FILTER BATTERY PARTS

Key	Item Number	Model Number	Description	Price Each
1	-	25AP225403414	Pressure Gauge Assembly	264.00
2	70561-001660	65ARIB2PP	2" Combination Air Vent	228.00
3	-	25AP50480222	Extension for Combination Air Vent	Call
4	-	-	Inlet Manifold	Call
5	00110-001520	25APMODBLINDFLG-P	Blind Flange	1106.00
6	-	25AP50402139	7/8" Bolt for Blind Flange	call
7	-	25AP50409017	7/8" Washer for Blind Flange	call
8	-	25AP50408017	7/8" Nut for Blind Flange	call
9	70641-003640	25A30-120	2" Command Filter	653.00
10	00110-001521	25APMODGASKET	Gasket for Blind Flange	58.00
11	70600-001177	25AP14461-120	Apollo 4" Twin Filter	8267.00
	70600-001091	25AP13761LC120	Apollo 3" Angle Filter	4454.00
12	70040-003100	44VIC04	4" Victaulic Coupling	98.70
13	71000-013440	61BFG4GPGB-DM	4" Series 350 Plastic Backflush Valve	1626.00
	71000-013360	61BFG3PB	3" Series 350 Plastic Backflush Valve (Angle Filter Only)	1022.00
14	70800-003260	61BBC-024	24VAC Normally Closed Solenoid	262.00
15	76601-001400	62SBV100F	1" Ball Valve	86.00
16	-	-	Outlet Manifold	Call
17	-	25AP22531001	Plastic Support Leg for 10" Inlet/Outlet Manifolds	Call
	-	25AP22531210	Plastic Support Leg for 12" Inlet/Outlet Manifolds	Call
18	75050-008500	595177100	1" Plug	6.41
19	70620-008360	25AP22530512	1/2" Vacuum Breaker on Drain Manifold	31.00
20	78201-010100	44VICP04	4" Victaulic Cap	34.65
21	-	-	Drain Manifold	Call
22	70041-004000	25AP22541230	Mounting Bracket for Backflush Controller	650.00
23	71680-014170	61SF25P	Plastic Finger Filter	25.00
24	76400-003410	55P4694802-B	Plastic Elbow 8 mm x 1/8" M for Solenoid & Relay (Bag 10)	59.40
25	76400-004505	55P4714804-B	Plastic Male Branch Tee 8 mm x 1/4" x 8 mm (Bag 10)	75.30
-	00110-001540	25APMODKITFLNG	Flange-Bolt Kit: 24 bolts, 48 washers, 24 nuts, 2 flanges	2697.00
-	00110-001550	25APMODKIT5 - 8	Adapter Kit: 24 bolts, 48 washers, 24 nuts, 1 drain manifold, 1 conn.	1543.00
-	76400-005410	55P1210400-B	1/4" Plug (Bag 10)	11.70
-	40001-000382	15CONT8C50	8 mm Control Tube (50' Roll)	19.95

Model Numbers will be different based on filter configurations.

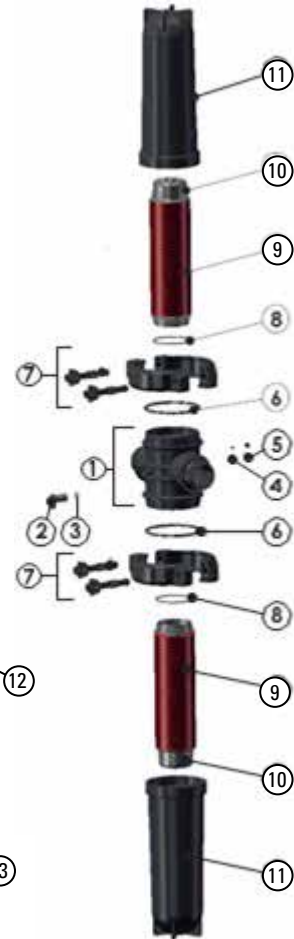
**NOTE:** Substitute \*\*\* with desired mesh.

# FILTERS

## APOLLO DISC-KLEEN FILTER PARTS

Twin Filter

Key	Item Number	Model Number	Description	Price Each
1	70620-003432	25AP22000402	4" Twin Body	945.00
	71610-035700	62SBV75	Drain Tap Valve 3/4" M x F	47.25
2	76000-002400	25AP50540112	3/4" Ball Valve	9.00
3	70620-007065	25AP50032311	O-Ring for 3/4" Ball Valve	12.60
4	74480-015800	25AP700190001305	Pressure Check Point Assembly Kit	8.09
5	70620-004300	25AP534341	Cover Gasket	37.00
6	70620-019450	25AP70019003658	Clamp - Polymeric Complete	351.75
7	70620-004146	25AP50022355	Spine Seat O-Ring	10.00
8	70620-001606	25AP20334-080	Ring Set Only	478.00
9	70620-007414	25AP21991040LC	Spine Assembly without Rings	2042.00
10	70620-002162	25AP25010602	Filter Cover	563.00
11	70620-019460	25APLCLPWRENCH	Wrench for Polymeric Clamp Bolts	24.00
12	70620-007900	25AP50760028	Butterfly Nut Wrench	67.00



## APOLLO DISC-KLEEN FILTER PARTS

Angle Filter

Key	Item Number	Model Number	Description	Price Each
1	70620-003384	25AP22371011	3" Angle Body	481.00
2	70620-003865	25AP50540212	1/4" x 1/2" Ball Valve	49.35
3	74480-015800	25AP700190001305	Pressure Check Point Assembly Kit	6.09
4	70620-004300	25AP534341	Cover Gasket	37.00
5	70620-019450	25AP70019003658	Clamp - Polymeric Complete	351.75
6	70620-004146	25AP50022355	Spine Seat O-Ring	10.00
7	70620-001606	25AP20334-080	Ring Set Only	478.00
8	70620-007414	25AP21991040LC	Spine Assembly without Rings	2042.00
9	70620-002162	25AP25010602	Filter Cover	563.00
10	70620-007900	25AP50760028	Butterfly Nut Wrench	67.00
11	70620-019460	25APLCLPWRENCH	Wrench for Polymeric Clamp Bolts	24.00

NOTE: Substitute \*\*\* with desired mesh.

# VALVES

## SERIES 80 NYLON CONTROL VALVE ACTUATORS

Item Number	Model Number	Description	Price Each
71680-018370	61SDD2-L	2-Way Actuator 12VDC Latching - Wire Leads	64.00
71640-007020	61SDD2-12VDC	2-Way Actuator 12VDC - Wire Leads	63.00
71640-007140	61SDD2-24V	2-Way Actuator 24VAC - Wire Leads	45.00
70800-000002	61SDD2-120V	2-Way Actuator 110/120VAC - Hub	108.00

# WATER METERS

## WATER METER REPLACEMENT REGISTERS

Item Number	Model Number	Size	Model	Register Type	Gallons/ Pulse	Price Each
70261-001100	36M1.5RG1R	1 1/2"	M	Pulse Reed Switch	1.0	333.90
70261-001140	36WMR2RG10R	2"	WMR	Pulse Reed Switch	10	333.90
70261-001139	36WMR2RG1R	2"	WMR	Photo Diode	1.0	333.90
70261-001230	36IRT3RG10R	3"	IRT	Pulse Reed Switch	10	333.90
70261-001300	36IRT4R10GR	4"	IRT	Pulse Reed Switch	10	333.90
70261-001440	36IRT6RG100R	6"	IRT	Pulse Reed Switch	100	333.90
70261-001275	36WST3RG10R	3"	WST	Pulse Reed Switch	10	333.90
70261-001365	36WST4RG10R	4"	WST	Pulse Reed Switch	10	333.90
70261-001485	36WST6RG100R	6"	WST	Pulse Reed Switch	100	333.90



## WATER METER PULSE REED SWITCH

Item Number	Model Number	Color	Used With	Price Each
70220-005300	36RSGREY	Grey Probe	All Sizes	102.90
70220-011500	3624572220	-	Tamper Proof Seal	8.51



## WATER METER REGISTER DUST COVERS

Item Number	Model Number	Description	Price Each
70220-004220	36DUSTCOVER	Dust Cover Only	28.35
70220-010650	3625824629	Dust Cover Assembly	52.50



## WATER METER PARTS

3/4" to 2" Sizes

Item Number	Model Number	Description	Price Each
70220-000042	36M.75COUPLERS	Coupler Set for 3/4" Water Meter	55.65
70261-000840	36M1COUPLERS	Coupler Set for 1" Water Meter	70.35
70261-000880	36M1.5COUPLERS	Coupler Set for 1 1/2" Water Meter	91.35
70261-000900	36WMR2COUPLERS	Coupler Set for 2" Water Meter	117.60
70220-003900	36M.75GASKET	Gasket Only for 3/4" Water Meter	0.95
70220-004000	36M1GASKET	Gasket Only for 1" Water Meter	1.26
70220-004100	36M1.5GASKET	Gasket Only for 1 1/2" Water Meter	5.25
70220-004180	36WMR2GASKET	Gasket Only for 2" Water Meter	6.83

# WATER METERS

## WATER METER PARTS - IRT MODEL

3" to 6" Sizes

Key	Item Number	Model Number	Description	Price Each
1	70220-005300	36RSGREY	Pulse Reed Switch - Grey Probe	102.90
2	70220-004220	36DUSTCOVER	Dust Cover Only - Standard	28.35
3	70220-011650	3625824629	Dust Cover Assy - Standard/Photo Diode	52.50
4	70220-010610	36SLIDINGRING	Sliding Ring	3.57
5	-	See 'Water Meter Replacement Registers' chart for options		
6	70220-010550	36REGISTERORING	Register O-Ring	5.99
7	70220-010500	36PRESSURERING	Pressure Ring	4.83
8	70261-009000	36IRT3METERASSY	3" Metering Unit	706.65
	70261-009300	36IRT4METERASSY	4" Metering Unit	813.75
	70261-009600	36IRT6METERASSY	6" Metering Unit	1392.30
9	70220-009745	3621280809	3" - 6" Bolt	45.15
10	-	36IRT3FBODY	3" Meter Body (does not include bolts)	Call
	70261-009305	36IRT4FBODY	4" Meter Body (does not include bolts)	885.15
	70261-009550	36IRT6FBODY	6" Meter Body (does not include bolts)	1185.45
-	-	36603509	3" - 4" IRT Cover O-Ring *	Call

\* Located between metering unit and meter body.



## WATER METER PARTS - WST MODEL

3" to 6" Sizes

Key	Item Number	Model Number	Description	Price Each
1	70220-005400	36RSBLUE	Pulse Reed Switch - Grey Probe	110.25
2	70220-004220	36DUSTCOVER	Dust Cover Only - Standard	28.35
3	70220-011650	3625824629	Dust Cover Assy - Standard/Photo Diode	52.50
4	70220-010610	36SLIDINGRING	Sliding Ring	3.57
5	-	See 'Water Meter Replacement Registers' chart for options		
6	70220-010550	36REGISTERORING	Register O-Ring	5.99
7	70220-010500	36PRESSURERING	Pressure Ring	4.83
8	70261-010200	36WST3METERASSY	3" Metering Unit	817.95
	70261-010300	36WST4METERASSY	4" Metering Unit	1031.10
	70261-010400	36WST6METERASSY	6" Metering Unit	1698.90
-	70220-009750	36WST3-4METORING	3" - 4" Cover O-Ring	5.04
-	70220-010340	36WST6-12METORING	6" Cover O-Ring	19.95
9	70220-009852	36WST3-4BOLTDRLD	3" - 4" Drilled Bolt	19.95
	70220-009854	36WST6-12BOLTDRLD	6" Drilled Bolt	25.20
9a	70220-009856	36WST3-4BOLT	3" - 4" Bolt	6.83
	70220-009858	36WST6-12BOLT	6" Bolt	10.50
10	-	36WST3FBODY	3" Meter Body (does not include bolts)	Call
	-	36WST4FBODY	4" Meter Body (does not include bolts)	Call
	70261-010490	36WST6FBODY	6" Meter Body (does not include bolts)	1291.50





# HYDROMETERS

## HYDROMETER REPLACEMENT REGISTERS

Item Number	Model Number	Meter Size	Register Code	Gallons/ Pulse	Price Each
70261-001115	36H1.5RG1R	1 1/2"	Pulse Reed Switch	1.0	333.90
70261-001085	36H1.5PG.0053R		Photo Diode	0.0053	410.55
70261-001104	36H1.5EG.1R		ER Digital w/Output Mod	-	1192.80
70261-001174	36H2RG1R	2"	Pulse Reed Switch	1.0	333.90
70261-001172	36H2PG.0085R		Photo Diode	0.0085	410.55
70261-001169	36H2EG.1R		ER Digital w/Output Mod	-	1192.80
70220-020410	36H3RG1R	3"	Pulse Reed Switch	1.0	333.90
70261-001218	36H3PD.0205R		Photo Diode	0.0205	410.55
70261-001204	36H3EG.1R		ER Digital w/Output Mod	-	1192.80
70261-001337	36H4RG1R	4"	Pulse Reed Switch	1.0	333.90
70261-001187	36H4PG.0566R		Photo Diode	0.0566	410.55
70261-001338	36H4EG10R		ER Digital w/Output Mod	-	1192.80
70261-001415	36H6RG10R	6"	Pulse Reed Switch	10	333.90
70261-001418	36H6PG.1739R		Photo Diode	0.1739	410.55
70261-001414	36H6EG10R		ER Digital w/Output Mod	-	1192.80
70261-008450	36H8RG10R	8"	Pulse Reed Switch	10	333.90
70261-001588	36H8PG.3173R		Photo Diode	0.3173	410.55
-	36H8EG100R		ER Digital w/Output Mod	-	N/A

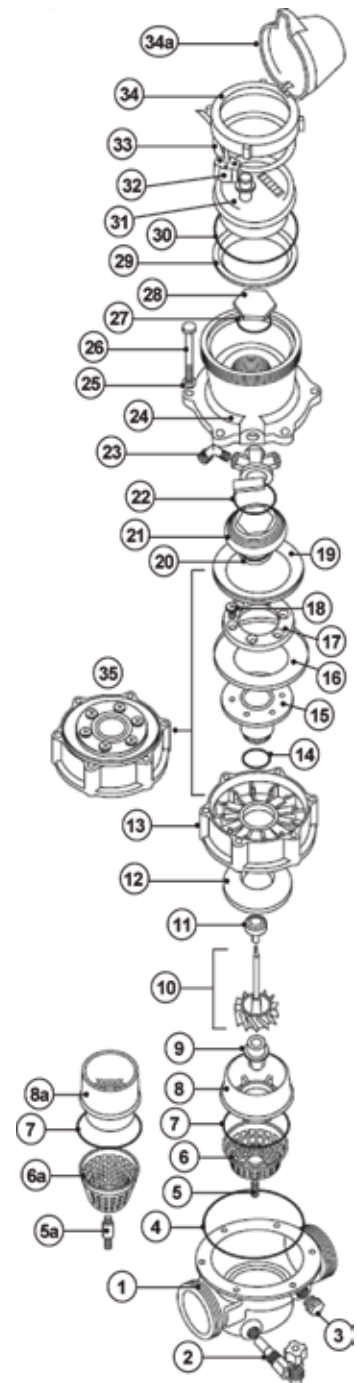


# HYDROMETERS

## HYDROMETER PARTS

1 1/2" and 2" Sizes

Key	Item Number	Model Number	Description	Price Each
1	-	36HM1.5TF-BODY	Body 1 1/2"	Call
	-	36HM2TG-BODY	Body 2"	Call
2	71680-014160	61SF25B	Finger Strainer 1/4" x 1/8"	84.00
3	-	3621031009	Plug	Call
4	70220-009322	3620600809	Base O-Ring	4.41
5	-	3621281209	Inlet Spider Screw for 1 1/2"	Call
5a	70220-009747	3621280709	Inlet Spider Screw for 2"	28.35
6	-	3625442209	Strainer for 1 1/2"	Call
6a	70220-010817	3625442409	Strainer for 2"	4.41
7	-	3620613909	Inlet Spider O-Ring	Call
8	70220-009055	3625040109	Inlet Spider for 1 1/2"	56.70
8a	70220-009060	3625040409	Inlet Spider for 2"	80.85
9	70220-009715	3620312119	Inlet Spider Nut	91.35
10	70220-009080	3623720459	Impeller Assembly for 1 1/2"	218.40
	70220-009100	3623741929	Impeller Assembly for 2"	170.10
11	70220-005593	3620930119	Magnet Housing Assembly for 1 1/2"	38.85
	70220-005595	3620930129	Magnet Housing Assembly for 2"	45.15
12	70220-009309	3623020219	Stem Gasket Assembly	150.15
13	-	3624510509	Base	Call
14	70220-009795	3620601709	Stem O-Ring	3.68
15	-	3624602019	Stem Assembly	Call
16	70220-004950	3620625309	Membrane	87.15
17	70220-002671	3623040809	Membrane Washer	90.30
18	-	3621313509	Stem Screw	Call
19	-	3623145709	Membrane Support Ring	Call
20	70220-005070	3620610009	Central Bushing O-Ring	0.81
21	-	3628520509	Central Bushing	Call
22	70220-009798	3620600609	Cover O-Ring	0.81
23	71610-036000	62SV21/8M	3-Way Selector Valve	64.00
24	-	3625270669	Cover	Call
25	-	3623020109	Cover Screw Washer	Call
26	-	3621040709	Cover Screw	Call
27	70220-009760	3620612709	Upper Bearing O-Ring	1.02
28	70220-009555	3621140029	Upper Bearing Screw	212.10
29	70220-010510	3623123509	Register Pressure Ring	7.56
30	70220-010550	36REGISTERORING	Register O-Ring	5.99
31	-	See 'Hydrometer Replacement Registers' for options		
32	70220-005300	36RSGREY	Pulse Reed Switch	102.90
33	70220-010610	36SLIDINGRING	Sliding Ring	3.57
34	70220-011650	3625824629	Dust Cover Assembly	52.50
34a	70220-004220	36DUSTCOVER	Dust Cover Only	28.35
35	70220-009320	3624510519	Base Assembly	749.70



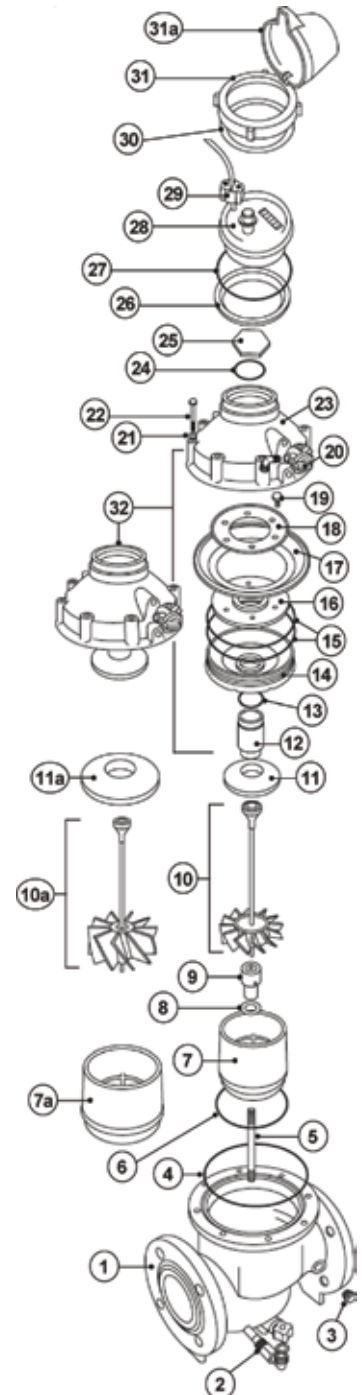


# HYDROMETERS

## HYDROMETER PARTS

3" and 4" Sizes

Key	Item Number	Model Number	Description	Price Each
1	-	36HM3FG-BODY	Body 3"	Call for Price
	70261-009310	36HM4FG-BODY	Body 4"	1419.60
2	71680-014160	61SF25B	Finger Strainer	84.00
3	-	3621031009	Plug	Call
4	-	3620612409	Base O-Ring	Call
5	70220-009745	3621280809	Inlet Spider Screw for 3"	45.15
	70220-009730	3621281009	Inlet Spider Screw for 4"	45.15
6	70220-009735	3620613109	Inlet Spider O-Ring for 3"	2.00
	70220-009740	3620613709	Inlet Spider O-Ring for 4"	8.51
7	70220-009235	3625041320	Inlet Spider for 3"	92.40
7a	70220-009237	3625041420	Inlet Spider for 4"	168.00
8	70220-009720	3623022609	Bearing Nut Ring	12.60
9	70220-009700	3620312219	Bearing Nut	92.40
10	70220-009200	3623743239	Impeller Assembly for 3"	332.85
10a	70220-009220	3623741639	Impeller Assembly for 4"	332.85
11	70220-002665	36H3STEMGASK	Stem Gasket Assembly for 3"	263.55
11a	70220-002695	36H4STEMGASK	Stem Gasket Assembly for 4"	165.90
12	-	3624602109	Stem	Call
13	-	3620614109	Stem O-Ring	Call
14	-	3624510409	Base	Call
15	-	3620602209	Base O-Ring	Call
16	-	3623020809	Membrane Support Ring	Call
17	70220-004970	36H3MEMBRANE	Membrane	90.30
18	-	3623120209	Membrane Ring	Call
19	-	3621410409	Stem Screw	Call
20	71610-036000	62SV21/8M	3-Way Selector Valve	Call
21	-	3623022809	Cover Screw Washer	Call
22	-	3621040509	Cover Screw	Call
23	-	3625230969	Cover	Call
24	70220-009760	3620612709	Upper Bearing O-Ring	1.02
25	70220-009555	3621140029	Upper Bearing Screw	212.10
26	70220-010510	3623123509	Register Pressure Ring	7.56
27	70220-010550	36REGISTERORING	Register O-Ring	5.99
28	70220-005300	36RSGREY	Pulse Reed Switch	102.90
29	70220-010610	36SLIDINGRING	Sliding Ring	3.57
30	70220-010650	36DUSTCOVERASSY	Dust Cover Assembly	52.50
31	70220-004220	36DUSTCOVER	Dust Cover Only	28.35
31a	70261-017300	36HM4-HEAD	Cover Assembly	875.70

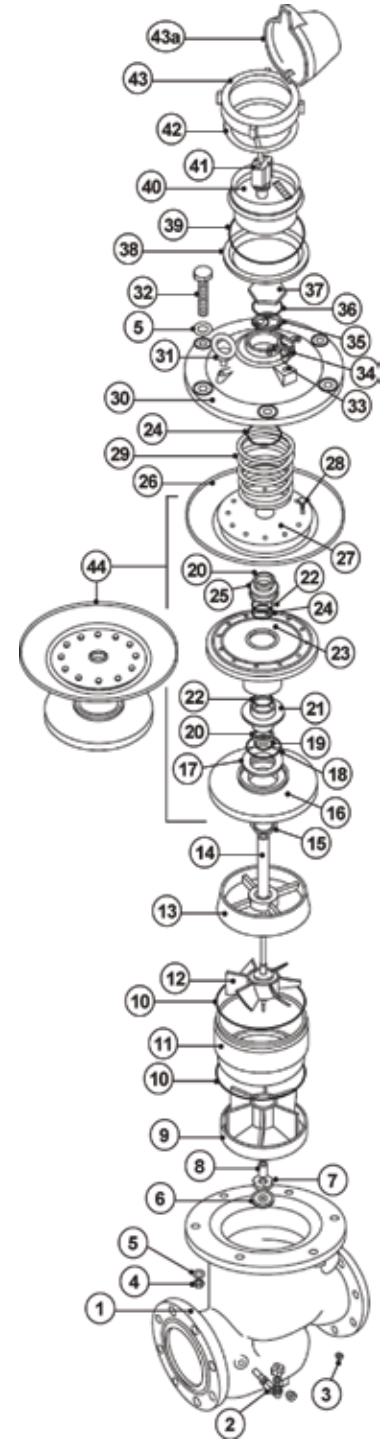


# HYDROMETERS

## HYDROMETER PARTS

6" Size

Key	Item Number	Model Number	Description	Price Each
1	-	36HM6FG-BODY	Body 6"	Call
2	71680-014000	61SF25SB	Finger Strainer Brass Long 1/4" x 1/4"	84.00
3	-	3621031009	Plug	Call
4	-	3620382409	Nut	Call
5	-	3623022709	Washer	Call
6	70220-009867	3620280709	Inlet and Outlet Cap	11.55
7	70220-009865	3620180109	Inlet Spider Screw	6.20
8	70220-009690	3621331419	Lower Bearing Screw	127.05
9	70220-009877	3625045110	Inlet Spider	100.80
10	70220-009793	3620611209	O-Ring	25.20
11	70220-009878	3626250109	Inlet Adapter Pipe	1459.50
12	-	3623742719	Impeller	Call
13	70220-009863	3624510609	Sealing Ring Base	744.45
14	70220-009872	3624624809	Stem	258.30
15	70220-009881	3620338009	Stem Locking Nut	391.65
16	-	3623024710	Closing Disc	Call
17	-	3623024109	Supporting Disc	Call
18	70220-000018	3620615209	O-Ring	7.77
19	-	3623122509	Wiper Holding Ring	Call
20	-	3624616209	Wiper	Call
21	-	3628400809	Stem Bushing	Call
22	70220-000021	3620615309	Stem O-Ring	0.60
23	70220-009875	3624602339	Stem	1525.65
24	70220-005150	3620612209	Stem Bearing O-Ring	8.30
25	-	3624903709	Stem Upper Bearing	Call
26	-	3620627509	Membrane	Call
27	-	3623024859	Stem Disc	Call
28	-	3621410409	Screw	Call
29	70220-009879	3627446009	Membrane Spring	137.55
30	-	3625223079	Cover	Call
31	-	3621482709	Stem Screw	Call
32	-	3621082309	Cover Screw	Call
33	-	3625602709	Bushing	Call
34	71610-036100	62SV41/4M	3-Way Selector Valve	Call
35	-	3620330009	Central Bar Nut	Call
36	70220-009760	3620612709	Upper Bearing O-Ring	1.02
37	-	3621430019	Upper Bearing Screw	Call
38	70220-010510	3623123509	Register Pressure Ring	7.56
39	70220-010550	36REGISTERORING	Register O-Ring	5.99
40	-	See 'Hydrometer Replacement Registers' for options		
41	70220-005300	36RSGREY	Pulse Reed Switch	102.90
42	70220-010610	36SLIDINGRING	Sliding Ring	3.57
43	70220-011650	3625824629	Dust Cover Assembly	52.50
43a	70220-004220	36DUSTCOVER	Dust Cover Only	28.35
44	70220-009875	3624602339	Stem Assembly	1525.65
-	70220-005640	36HMT00LUBS1.5-8	Tool to Open Upper Bearing Screw (1.5"-8")	390.60
-	70220-005645	36HMT00LCBN6-8	Tool to Open Central Bar Nut (6" to 8")	2302.65

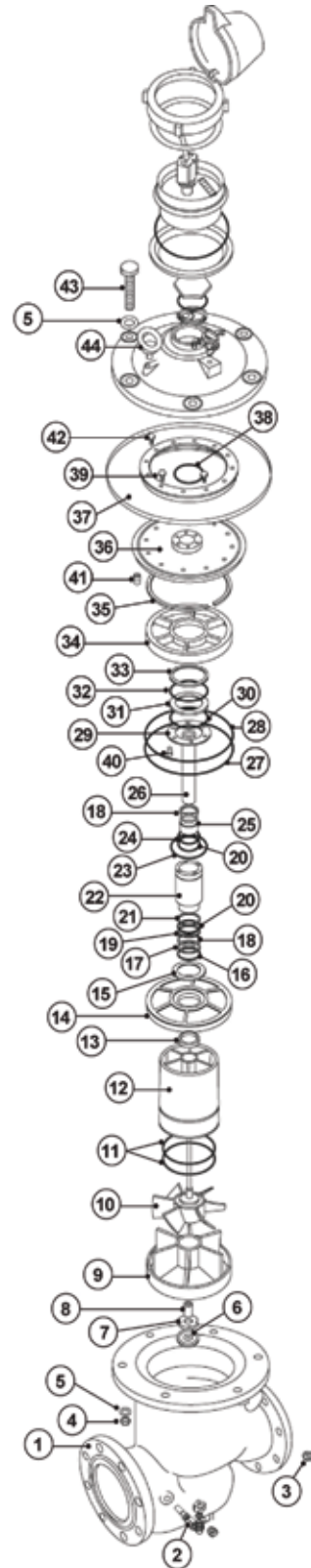


# HYDROMETERS

## HYDROMETER PARTS

8" Size

Key	Item Number	Model Number	Description	Price Each
1	-	36HM8FG-BODY	Body 8"	Call
2	71680-014000	61SF25SB	Finger Strainer Brass Long 1/4" x 1/4"	84.00
3	-	3621031009	Plug	Call
4	-	3620382409	Nut	Call
5	-	3623022709	Washer	Call
6	70220-009867	3620280709	Inlet and Outlet Cap	11.55
7	70220-009865	3620180109	Inlet Spider Screw	6.20
8	-	3621381419	Lower Bearing Screw	Call
9	-	3625046309	Inlet Spider	Call
10	70220-009222	3623740979	Impeller	938.70
11	70220-000017	3620608609	O-Ring	7.77
12	-	3626258709	Inlet Adapter Pipe	Call
13	70220-009881	3620338009	Stem Locking Nut	391.65
14	70220-005170	3623024210	Closing Disc	456.75
15	-	3623024109	Supporting Disc	Call
16	70220-000018	3620615209	O-Ring	7.77
17	-	3623122509	Wiper Holding Ring	Call
18	-	3624616209	Wiper	Call
19	-	3624903609	Stem Bottom Bearing	Call
20	70220-000020	3620609809	Stem Bearing O-Ring	0.61
21	-	3624903509	Stem Bottom Bearing	Call
22	-	3624602709	Stem	Call
23	70220-000019	3620606809	O-Ring	47.25
24	70220-000021	3620615309	O-Ring	0.60
25	-	3624903709	Stem Upper Bearing	Call
26	-	3624616109	Central Bar	Call
27	70220-000022	3620609709	O-Ring	9.45
28	70220-000023	3620609609	O-Ring	25.20
29	-	3623148709	Lower Chamber Ring	Call
30	70220-000024	3620619609	O-Ring	6.09
31	-	3624627509	Lower Chamber Wiper	Call
32	70220-000025	3620618609	O-Ring	6.09
33	-	3624906109	Lower Chamber Bearing	Call
34	-	3623026459	Lower Chamber Disc	Call
35	-	3623138609	Lower Chamber Locking Ring	Call
36	-	3623024959	Stem Disc	Call
37	-	3620628609	Membrane	Call
38	70220-005150	3620612209	O-Ring	8.30
39	-	3621010309	Stem Screw	Call
40	-	3621410409	Cap Screw	Call
41	-	3621486209	Tightening Screw	Call
42	-	3621410410	Screw	Call
43	-	3621086109	Cap Screw	Call
44	-	3621482709	Stem Screw	Call

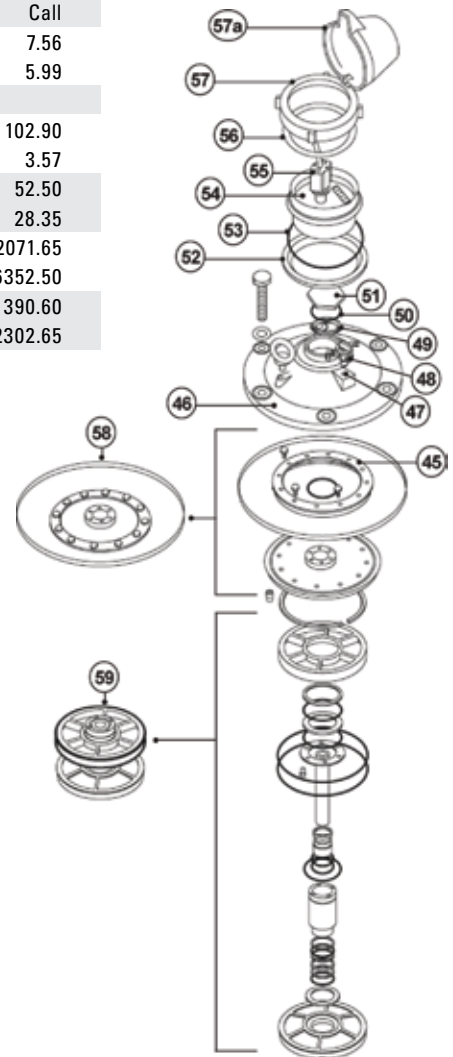


# HYDROMETERS

## HYDROMETER PARTS

8" Size

Key	Item Number	Model Number	Description	Price Each
45	-	3623026309	Membrane Disc	Call
46	-	3625226869	Cover	Call
47	-	3625602709	Bushing	Call
48	71610-036100	62SV41/4M	3-Way Selector Valve	128.00
49	-	3620330009	Central Bar Nut	Call
50	70220-009760	3620612709	Upper Bearing O-Ring	1.02
51	-	3621430019	Upper Bearing Screw	Call
52	70220-010510	3623123509	Register Pressure Ring	7.56
53	70220-010550	36REGISTERORING	Register O-Ring	5.99
54	-	See 'Hydrometer Replacement Registers' for options		
55	70220-005300	36RSGREY	Pulse Reed Switch	102.90
56	70220-010610	36SLIDINGRING	Sliding Ring	3.57
57	70220-011650	3625824629	Dust Cover Assembly	52.50
57a	70220-004220	36DUSTCOVER	Dust Cover Only	28.35
58	-	3620628619	Membrane Assembly	2071.65
59	-	3624602829	Stem Assembly	6352.50
-	70220-005640	36HMT00LUBS1.5-8	Tool to Open Upper Bearing Screw (1.5"-8")	390.60
-	70220-005645	36HMT00LCBN6-8	Tool to Open Central Bar Nut (6" to 8")	2302.65



# HYDROMETERS

## HYDROMETER SOLENOIDS

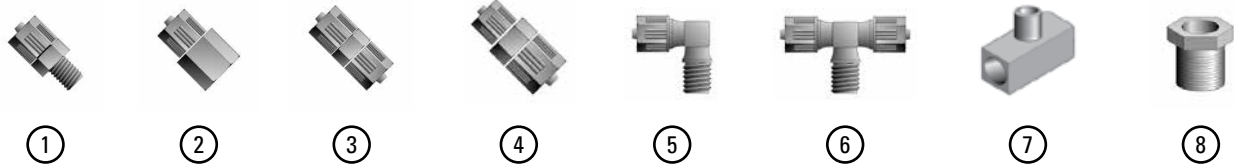
Item Number	Model Number	Description	Price Each
70220-006080	36SOLNO-024-3.5	Normally Open (N.O.) 24VAC Brass Solenoid - Wire Leads	275.10
70220-006085	36SOLNC-024-3.5	Normally Closed (N.C.) 24VAC Brass Solenoid - Wire Leads	275.10

## HYDROMETER PILOTS

Item Number	Model Number	Description	Price Each
70220-001700	36PIL29117GRY	Pressure Reducing Plastic Black Pilot 29-117 psi Gray Spring	343.35
70220-001775	36PIL14-44-G	Pressure Reducing Plastic Black Pilot 14-44 psi Green Spring	343.35
70220-001560	36PIL5-26-B	Pressure Reducing Plastic Black Pilot 5-26 psi Blue Spring	343.35
71680-001200	61PIL31310-G	Pressure Reducing & Sustaining Brass Pilot 14-90 psi Green Spring	930.00
71680-001210	61PIL31310-R	Pressure Reducing & Sustaining Brass Pilot 30-130 psi Red Spring	930.00
-	61PIL31310-B	Pressure Reducing & Sustaining Brass Pilot 100-285 psi Black Spring	948.00

## HYDROMETER PILOT SPRINGS

Item Number	Model Number	Description	Price Each
-	36SPP1001	Plastic Pilot Spring Gray 29-117 psi	35.00
-	36SPP1002	Plastic Pilot Spring Green 14-44 psi	35.00
-	36SPP1003	Plastic Pilot Spring Blue 5-26 psi	35.00
71680-010550	61SPP2047	Brass Pilot Spring Green 14-90 psi	56.00
71680-010500	61SPP2050	Plastic Pilot Spring Red 30-130 psi	74.00
71680-010650	61SPP2076	Plastic Pilot Spring Black 100-285 psi	72.00



## HYDROMETER FITTINGS

Key	Item Number	Model Number	Description	Bag Qty	Price Each
1	76400-002110	55P4684802-B	Plastic Male Connector 8 mm x 1/8"	10	39.30
	76400-002310	55P4684804-B	Plastic Male Connector 8 mm x 1/4"	10	39.30
2	70220-002400	3624235309	Plastic Female Connector 8 mm x 1/4" (Pilot x 8 mm)	1	12.60
3	76400-001310	55P4624800-B	Plastic Union Connector 8 mm x 8 mm	10	62.60
4	76400-001210	55P4564846-B	Plastic Reducing Connector 8 mm x 6 mm	10	62.60
5	76400-003410	55P4694802-B	Plastic Male 90° Elbow 8 mm x 1/8"	10	59.40
	76400-003503	55P4694804-B	Plastic Male 90° Elbow 8 mm x 1/4"	10	59.40
6	76400-004505	55P4714804-B	Plastic Male Branch Tee 8 mm x 1/4" x 8 mm	10	75.30
	76400-004410	55P4714802-B	Plastic Male Branch Tee 8 mm x 1/8" x 8 mm	10	78.50
-	78301-003800	55B216P2	Brass Hex Nipple 1/8"	1	3.00
7	78301-002500	55B2225P4	Brass Street Tee 1/4" x 1/4"	1	23.00
8	78301-003300	55B209P42	Brass Bushing 1/4" M x 1/8" F	1	3.50
-	78301-004600	55B222P44	Brass Adapter 1/4" M x 1/4" F	1	6.30
-	78301-004500	55B222P42	Brass Adapter 1/4" F x 1/8" M	1	7.20

# HYDROMETERS



## HYDROMETER ACCESSORIES

Key	Item Number	Model Number	Description	Price Each
1	71680-014160	61SF25B	Brass Finger Strainer 1/4" x 1/8" (1.5" to 4" Sizes)	84.00
-	71680-014000	61SF25SB	Brass Finger Strainer Long 1/4" x 1/4" (6" to 8" Sizes)	84.00
2	71610-036000	62SV21/8M	3-Way Selector Valve 1/8" x 1/8"	64.00
	71610-036100	62SV41/4M	3-Way Selector Valve 1/4" x 1/4"	128.00
3	71610-035600	62SBV25	Ball Valve Brass 1/4"	46.00
4	76601-001050	61APS1/8	Shrader Valve	7.20
5	00110-001750	6809020-30	Pressure Gauge 0-30 psi	95.55
6	00110-001790	6809020-100	Pressure Gauge 0-100 psi	95.55
	00110-001810	6809020-160	Pressure Gauge 0-160 psi	95.55
7	40001-000400	15CONT-8	Control Tubing 8 mm 1000' coil	231.00
	40001-000383	15CONT8C100	Control Tubing 8 mm 100' coil	34.97
	40001-000382	15CONT8C50	Control Tubing 8 mm 50' coil	19.95
	40001-000381	15CONT8C10	Control Tubing 8 mm 10' coil	13.02





**NETAFIM USA**  
5470 E. HOME AVE.  
FRESNO, CA 93727  
CS 888 638 2346  
**[WWW.NETAFIMUSA.COM](http://WWW.NETAFIMUSA.COM)**