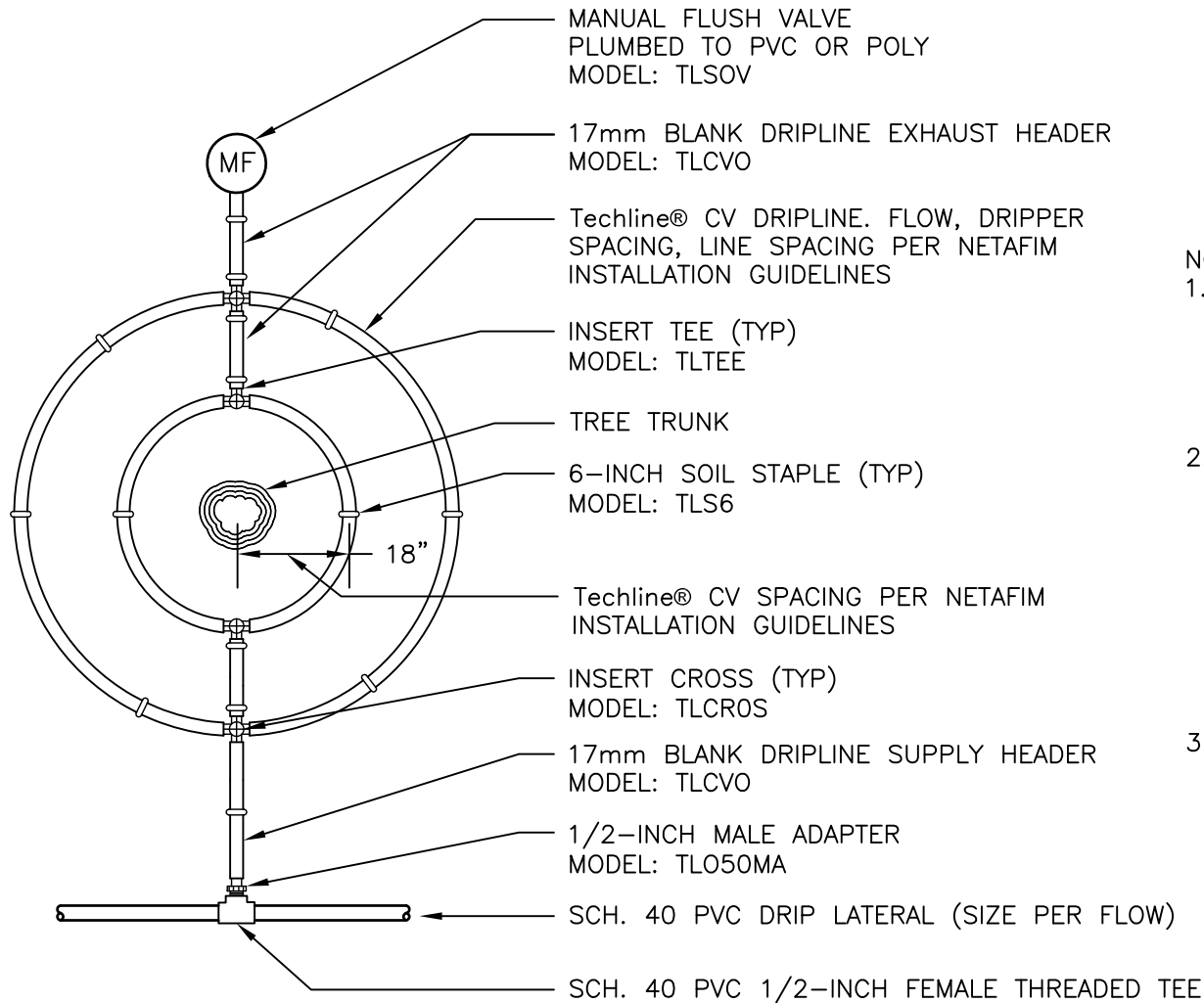


LIMITATIONS:

ALLOWING FOR A WIDE VARIETY OF APPLICATIONS AND CONDITIONS, NETAFIM IRRIGATION INC. IS NOT RESPONSIBLE FOR CORRECTNESS OR APPLICABILITY TO PURPOSE OR COMPATIBILITY TO ANY SITE OR JOB CONDITION. WARRANTY FOR SUITABILITY IS NOT GIVEN OR IMPLIED. MODIFICATIONS FOR SPECIFIC PURPOSES MAY BE NECESSARY AND ARE THE SPECIFIERS' RESPONSIBILITY. THE USE OF THESE DETAILS SHALL NOT BE RESTRICTED AND PUBLICATION THEREOF IS NOT LIMITED TO ANY PURPOSE. REPRODUCTION, PUBLICATION AND REUSE BY ANY METHOD OR PART IS FULLY AUTHORIZED. OWNERSHIP IS RETAINED BY NETAFIM IRRIGATION INC. VISUAL CONTACT WITH THESE DETAILS SHALL CONSTITUTE PRIMA FACIE EVIDENCE OF THE ACCEPTANCE OF THESE RESTRICTIONS.



NOTES TO DESIGNER:

1. INSTALL FIRST Techline® CV LOOP 18-INCHES FROM CENTER OF TREE TRUNK. INSTALL EACH ADDITIONAL LOOP PER NETAFIM INSTALLATION GUIDELINES.
2. INSTALL Techline® CV DRIPLINE ON SURFACE TO MAXIMUM OF 6-INCHES BELOW GRADE, STAPLE IN PLACE PER MANUFACTURER'S RECOMMENDATIONS, BACKFILL AND SPREAD SURFACE TREATMENT AS DIRECTED BY OTHERS.
3. INSTALL Techline® CV IN ACCORDANCE WITH NETAFIM INSTALLATION GUIDELINES.

00

Techline® CV TWO TREE RING LAYOUT

NOT TO SCALE



DETAIL - C131