

SERIES 100

FEATURES AND BENEFITS

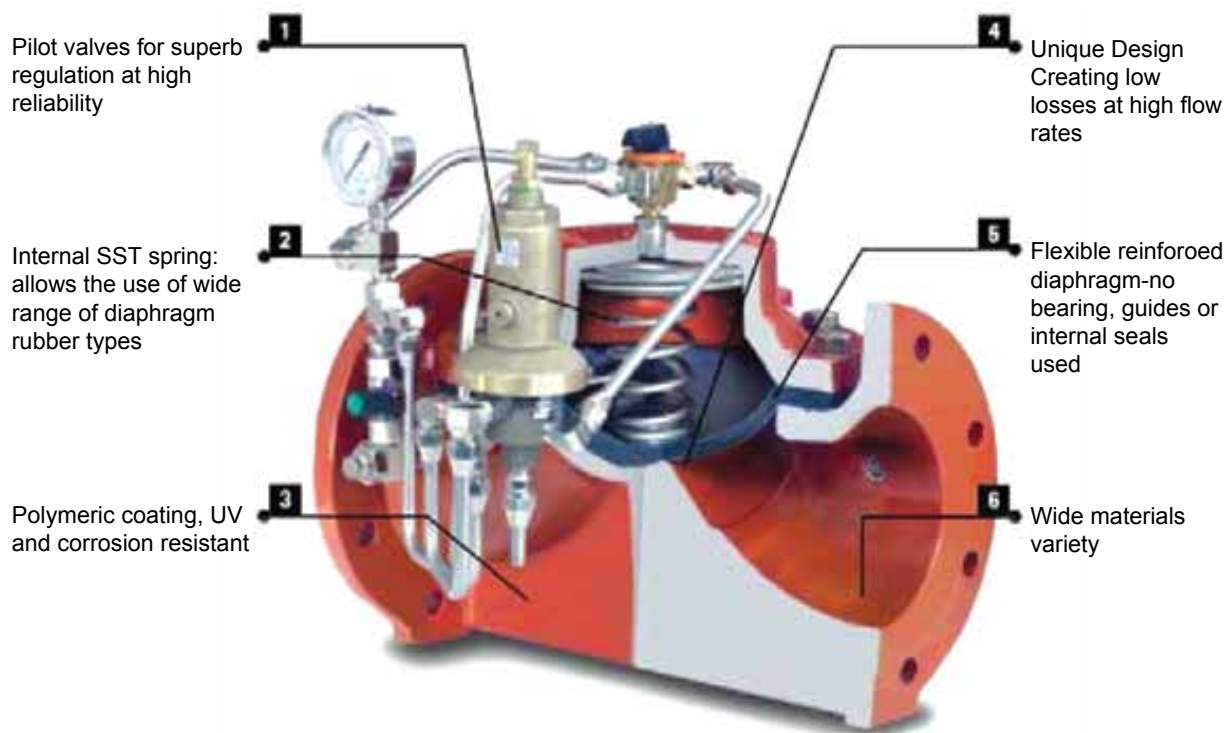


DESCRIPTION

Series 100 valves are made for easy, inline maintenance. There are no shafts, bearings or seals that may corrode and there is no wear and tear by dirty abrasive water or chemicals. Used in applications such as water supply, fire fighting, industrial, sewage and irrigation systems.

FEATURES AND BENEFITS

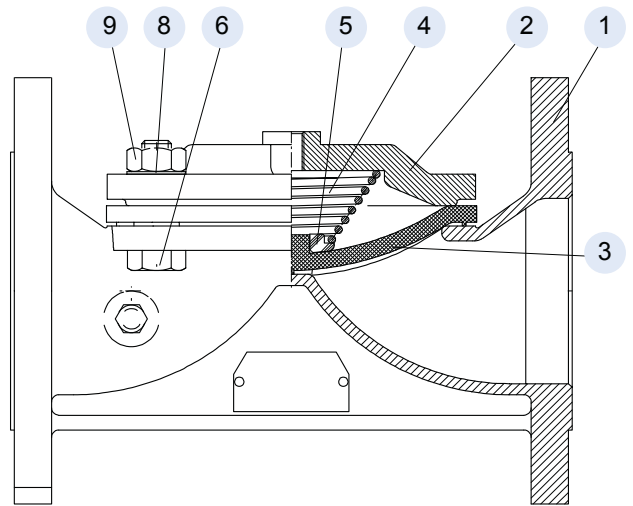
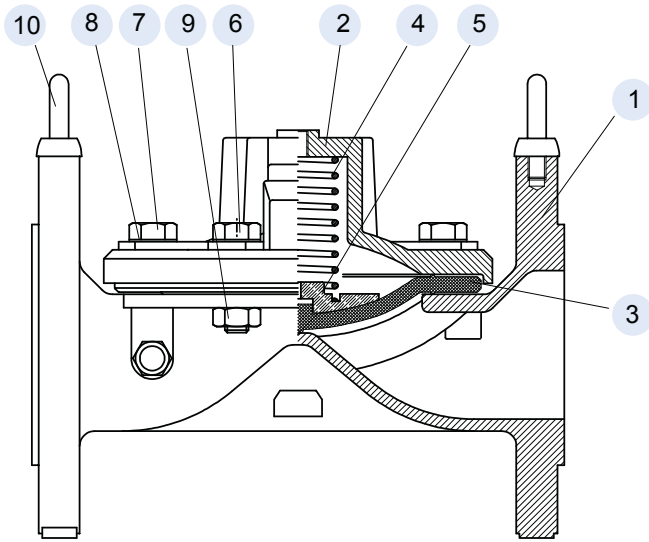
- Structural simplicity
- Superb design featuring exceptionally low pressure losses at high flow rates
- Can be used for regulating from no-flow to maximal flow with no need for additional throttling devices or by-pass valves
- A wide selection of materials, coating and diaphragm types
- All valve models fit a wide variety of control applications using Netafim pilot valves





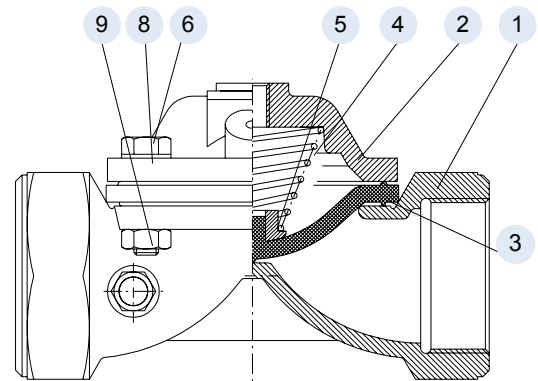
SERIES 100

COMPONENTS



COMPONENTS

COMPONENT	DESCRIPTION
1	Body
2	Bonnet
3	Diaphragm
4	Spring
5	Spring Disc
6	Bolt
7	Short Bolt
8	Washer
9	Nut
10	Suspension Ring (Hook)





SERIES 100

SERIES OVERVIEW



PATTERN																
		Threaded	Threaded	Victaulic®	Flanged	Flanged	Flanged	Flanged	Threaded	Victaulic®	Threaded	Flanged	Threaded			
CONNECTION		Cast Iron	Bronze	Cast Iron	Cast Iron	Bronze	Ductile Iron	Cast Iron	Cast Iron	Cast Iron	Bronze	Ductile Iron	Ductile Iron			
MATERIAL		16 Bar / 230 psi										25 Bar / 360 psi				
MAX PRESSURE																
AVAILABLE SIZES	MM	INCH														
	20	3/4"	•	•												
	25	1"	•	•												
	40	1½"	•	•	•				•		•					
	50	2"	•	•	•	•	•	•		•		•	•	•	•	
	65	2½"	•	•				•								
	80	323	•	•	•			•		•		•				
	80	3"	•	•	•	•	•	•	•	•	•		•			
	100	4"			•	•	•	•	•		•		•			
	150	6"			•	•	•	•	•				•			
	200	868				•	•	•								
	200	8"				•	•	•					•			
	250	10"				•	•	•					•			
	300	12"				•	•	•								
	350	14"				•	•	•								
	400	16"						•						•		
	450	18"						•						•		
500	20"						•						•			
600	24"						•						•			



SERIES 100

MATERIALS



MATERIALS	STANDARD	OPTIONAL*
BODY AND BONNET	Cast Iron, Ductile Iron, Bronze	Cast Steel, Stainless Steel
DIAPHRAGM	Natural Rubber	NBR, EPDM, Neoprene
SPRING	SST 302	SST 316
NUTS AND BOLTS	Coated Steel	SST
COATING	Polyester	Epoxy, Nylon, Rubber

* Other available on request

CONNECTIONS	STANDARD	OPTIONAL*
FLANGES	ISO 2084, 2441, 5752	ANSI B16, JIS B22 AS 10
THREADS	F-BSP	F-NPT
CONTROL BORES	1/8", 1/4", 1/2" NPT	-

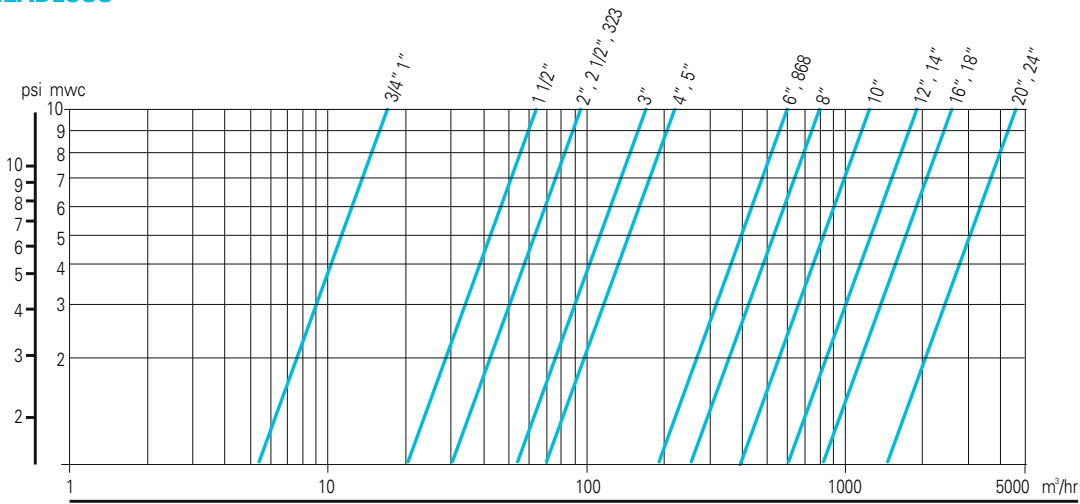


SERIES 100

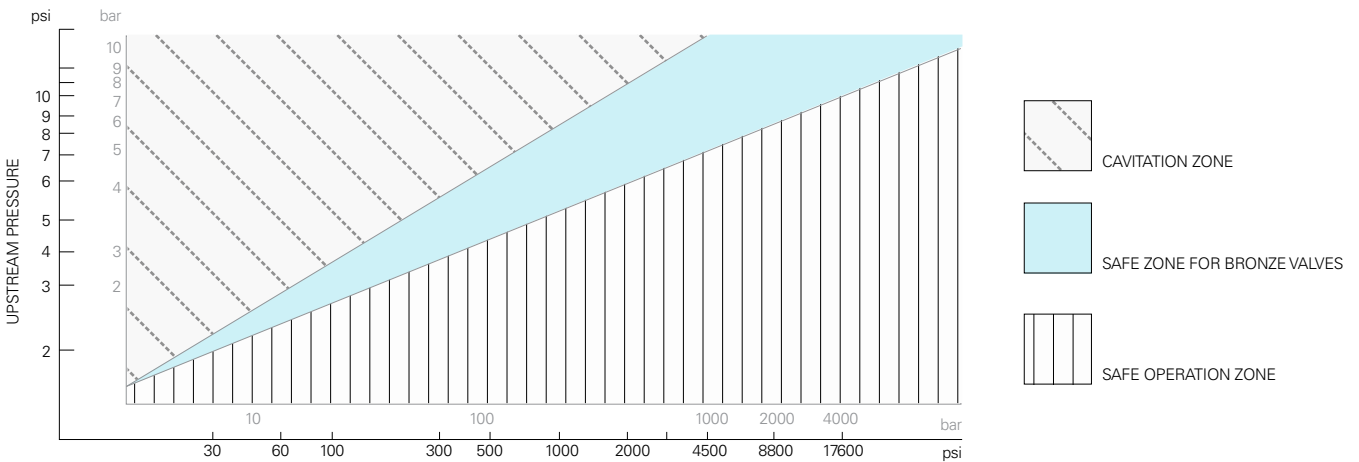
HEADLOSS & CAVITATION DATA



HEADLOSS



CAVITATION DATA



SERIES 100

HYDRAULIC PERFORMANCE



HYDRAULIC PERFORMANCE

VALVE		MAX. FLOW CONTINUANCE	MAX. FLOW INTERMITTENT	MINIMAL FLOW	STANDARD PRESSURE KV	HIGH PRESSURE MODELS KV
MM	INCH	M ³ /HR	M ³ /HR	M ³ /HR	M ³ /HR @ 1 BAR	M ³ /HR @ 1 BAR
20	3/4"	6	16	<1	17	-
25	1"	10	27	<1	17	-
40	1½"	25	68	<1	64	-
50	2"	40	109	<1	95	78
80LF	323	40	109	<1	95	-
80	3"	90	245	<1	170	120
100	4"	100	273	<1	220	200
150	6"	350	955	<1	600	550
200	8"	480	1,309	<1	800	800
250	10"	970	2,645	<1	1,250	1,300
300	12"	1,400	3,818	<1	1,900	-
350	14"	1,400	3,818	<1	1,900	-
400	16"	2,500	6,818	<1	2,600	2,600
450	18"	2,500	6,818	<1	2,600	2,600
500	20"	3,890	10,609	<1	4,600	4,600
600	24"	5,500	10,609	<1	4,600	4,600

LF = Low Flow



SERIES 100

DIAPHRAGM SELECTION TABLE



DIAPHRAGM SELECTION TABLE

DIAMETER		TYPE	NO.	PRESSURE RANGE	
MM	INCH			MWC	PSI
20, 25	3/4", 1"	Standard	18	12 - 160	17 - 230
20, 25	3/4", 1"	Low Pressure	85	5 - 100	7 - 140
40	1 1/2"	Standard	13	12 - 160	17 - 230
40	1 1/2"	S. Low Pressure	82	5 - 50	7 - 70
50, 65	2", 2 1/2", 3 2/3"	Standard	03	15 - 160	21 - 230
50, 65	2", 2 1/2", 3 2/3"	Low Pressure	02	7 - 100	10 - 140
50, 65	2", 2 1/2", 3 2/3"	S. Low Pressure	12	4 - 50	6 - 70
50, 65	2", 2 1/2", 3 2/3"	Extreme	60	20 - 160	28 - 230
50HP	2"HP	High Pressure	69	10 - 250	15 - 360
80, 100	3", 4"	Standard	32	12 - 160	17 - 230
80, 100	3", 4"	Low Pressure	05	4 - 100	6 - 140
80, 100	3", 4"	Extreme	61	20 - 160	28 - 230
80HP	3"HP	High Pressure	70	10 - 250	15 - 360
100HP	4"HP	High Pressure	71	10 - 250	15 - 360
150	6", 868	Standard	62	15 - 160	21 - 230
150	6", 868	Low Pressure	09	5 - 100	7 - 140
150	6", 868	S. Low Pressure	91	2 - 60	3 - 85
150	6", 868	Extreme	35	20 - 160	28 - 230

Standard Diaphragm: Nylon Reinforced Natural Rubber. Optional Materials: Nitrile, EPDM, Neoprene Available Upon Request.

HP = High Pressure



SERIES 100

DIAPHRAGM SELECTION TABLE



DIAPHRAGM SELECTION TABLE

DIAMETER		TYPE	NO.	PRESSURE RANGE	
MM	INCH			MWC	PSI
150HP	6"HP	High Pressure	72	10 - 250	15 - 360
200, 300, 350	8", 12", 14"	Standard	36	7 - 160	10 - 230
200, 300, 350	8", 12", 14"	Low Pressure	37	2 - 100	3 - 140
200, 300, 350	8", 12", 14"	Extreme	63	20 - 160	28 - 230
200HP	8"HP	High Pressure	73	10 - 250	15 - 360
250	10"	Standard	40	7 - 160	10 - 230
250	10"	Low Pressure	50	2 - 100	3 - 140
250HP, 400HP, 500HP, 600HP	10"HP, 16"HP, 20"HP, 24"HP	High Pressure	78	10 - 250	15 - 360
250HP, 400HP, 500HP, 600HP	10"HP, 16"HP, 20"HP, 24"HP	Low Pressure	92	2 - 100	3 - 140

Standard Diaphragm: Nylon Reinforced Natural Rubber. Optional Materials: Nitrile, EPDM, Neoprene Available Upon Request.
HP = High Pressure

PRESSURE RATING

Pressure rating of series 100 valves is body strength, connection standard and diaphragm type.

Pressure rating of valve body of standard models: 16 Bar / 230 psi.

Pressure rating of valve body of high pressure models: 25 Bar / 360 psi.

Connection standard is marked on the identification plate, assembled on the valve body. Diaphragms operation pressure range is presented at the above table.



SERIES 100

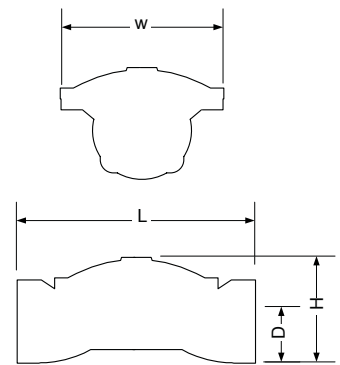
DIMENSIONS



STRAIGHT FLOW THREADED CONNECTION

VALVE SIZE		LENGTH		HEIGHT		D	W	WEIGHT	
		CAST IRON	BRONZE	CAST IRON	BRONZE			CAST IRON	BRONZE
MM	INCH	MM	MM	MM	MM	MM	MM	KG	KG
20	3/4"	115	112	43	43	20	68	1.0	1.0
25	1"	120	119	52	52	24	68	1.0	1.0
40	1 1/2"	170	149	93	86	33	93	2.2	1.8
50	2"	188	184	115	101	42	112	3.2	2.6
65	2 1/2"	219	212	118	109	46	112	3.6	3.4
80LF	323	225	221	126	116	54	112	4.5	3.9
80	3"	316	316	135	135	53	200	11.0	-

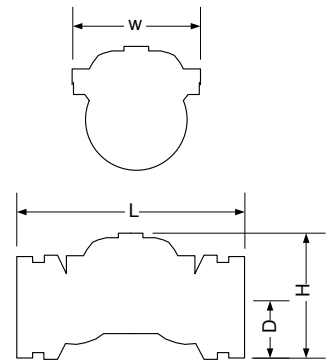
LF = Low flow



STRAIGHT FLOW GROOVED CONNECTION (VIC.)

VALVE SIZE		L	H	D	W	WEIGHT
MM	INCH	MM	MM	MM	MM	KG
40	1 1/2"	177	81	26	93	1.8
50	2"	190	100	33	112	2.6
80	323	201	120	47	112	3.0
80LF	3"	286	124	47	200	11.0
100	4"	317	133	60	194	12.0
150	6"	392	250	82	300	31.0

LF = Low flow





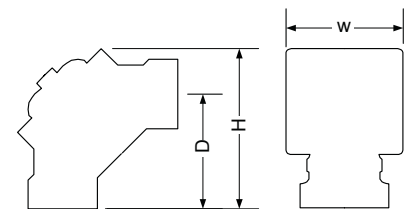
SERIES 100

DIMENSIONS



ANGLE FLOW GROOVED CONNECTION (VIC.)

VALVE SIZE		H	D	W	WEIGHT
MM	INCH	MM	MM	MM	KG
80	3"	240	170	200	10.5
100	4"	250	185	200	11.5



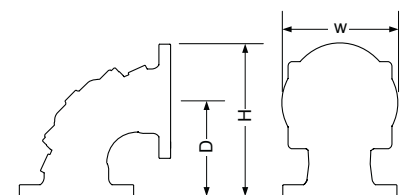
ANGLE FLOW THREADED CONNECTION

VALVE SIZE		H	D	W	WEIGHT
MM	INCH	MM	MM	MM	KG
40	1½"	110	75	93	1.7
50	2"	136	90	112	2.4
80LF	323	165	114	112	3.6
80	3"	239	145	200	10.8

LF = Low flow

ANGLE FLOW FLANGED CONNECTION

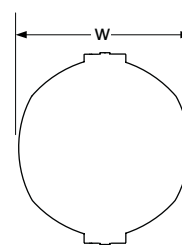
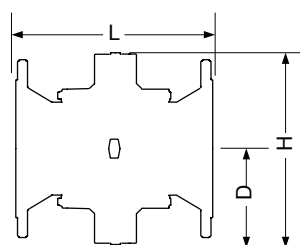
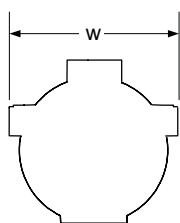
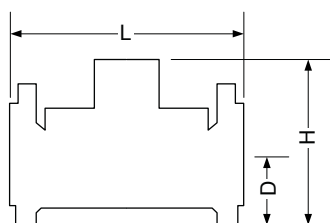
VALVE SIZE		H	D	W	WEIGHT
MM	INCH	MM	MM	MM	KG
80	3"	278	174	200	18.0
100	4"	300	185	230	21.0
150	6"	380	230	300	45.0





SERIES 100

STANDARD MODELS 16 BAR / 230 PSI
DIMENSIONS



STRAIGHT FLOW FLANGED CONNECTIONS STANDARD MODELS 16 BAR / 230 PSI

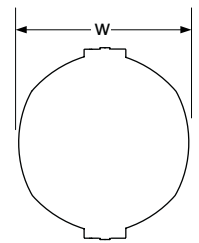
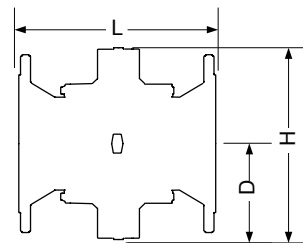
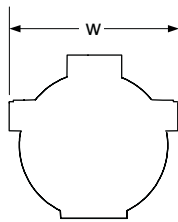
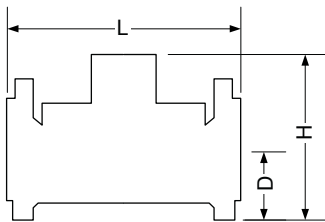
VALVE SIZE		L	H	D	W	WEIGHT		
MM	INCH					CASTIRON	DUCT. IRON	BRONZE
50	2"	200	166	85	166	7.2	7.7	8.0
80LF	323	200	202	105	200	11.0	11.8	-
80	3"	285	200	105	200	17.0	18.2	19.0
100	4"	305	230	110	230	22.0	24.0	24.0
150	6"	390	314	145	300	46.0	49.0	51.0
200LF	868	385	350	170	365	50.0	54.0	-
200	8"	460	400	170	365	80.0	86.0	89.0
250	10"	535	445	205	440	117.0	125.0	131.0
300	12"	580	495	240	490	156.0	167.0	147.0
350	14"	580	495	270	540	182.0	172.0	180.0

LF - Low flow



SERIES 100

HIGH PRESSURE MODELS 25 BAR / 360 PSI
DIMENSIONS



STRAIGHT FLOW FLANGED CONNECTION - HIGH PRESSURE MODELS 25 BAR / 360 PSI

VALVE SIZE		L	H	D	W	WEIGHT
MM	INCH	MM	MM	MM	MM	KG
50	2"	228	169	85	175	10.0
50 TH	2" TH	250	120	42	175	6.0
80	3"	310	237	105	200	30.0
100	4"	356	263	120	260	38.0
150	6"	436	378	150	320	75.0
200	8"	530	481	180	400	123.0
250	10"	636	546	215	495	190.0
400	16"	715	830	310	830	433.0
450	18"	715	830	340	830	460.0
500	20"	900	970	490	980	674.0
600	24"	900	970	490	980	696.0

TH = Threaded