



## NETAFIM™ BALL VALVES

### TRUE UNION BALL VALVES

---

#### APPLICATIONS

Physical shut off, manual restrictions, control or service needs in irrigation head controls, field plots, nurseries, greenhouses, Nutrigation™ systems, water conveyance systems.

#### BENEFITS & FEATURES

##### Saves operation costs

- A quarter turn shut off valve, threaded or glued socket, user friendly design allowing smooth handle operation
- Corrosion resistant and UV stabilized
- A true union ball valve, specifically designed for water application and for safe pipe line operation


##### Saves labor costs and multiple investments in maintenance

- In the closed position, the pipeline can be disconnected downstream from the valve without any leakage
- The valve is removable from the pipeline, allowing quick maintenance
- Highly reliable operation and durable over time


#### SPECIFICATIONS

- PVC resins guarantee excellent chemical resistance to most acids, alkalis, and saline solutions
- Ideal for application in temperature range of -5°C and 50°C, guaranteeing optimal performance in terms of mechanical resistance, good rigidity, low coefficients of thermal expansion and optimal safety factors in service
- PVC resins feature high value material strength and extremely long lifetime
- Operational up to 10 bar
- Low head losses
- Wide range of connections:  
Threaded (BSP or NPT standards) or SG (socket glued)

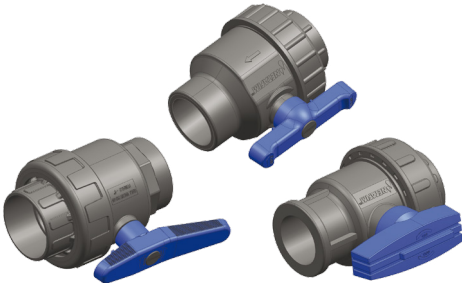
## NETAFIM™ TRUE UNION BALL VALVES - CATALOG NUMBERS

PRODUCT DESCRIPTION	CATALOG NUMBER	ILLUSTRATION
NMV PVC BALL VLV 1 UNION ¾" FFT BSP	77450-000100	
NMV PVC BALL VLV 1 UNION 1" FFT BSP	77450-000101	
NMV PVC BALL VLV 1 UNION 1¼" FFT BSP	77450-000102	
NMV PVC BALL VLV 1 UNION 1½" FFT BSP	77450-000103	
NMV PVC BALL VLV 1 UNION 2" FFT BSP	77450-000104	
NMV PVC BALL VLV 1 UNION 2½" FFT BSP	77450-000105	
NMV PVC BALL VLV 1 UNION 3" FFT BSP	77450-000106	
NMV PVC BALL VLV 1 UNION 4" FFT BSP	77450-000107	

\*Can be also ordered in NPT standard if required

PRODUCT DESCRIPTION	CATALOG NUMBER	ILLUSTRATION
NMV PVC BALL VLV 1 UNION ¾" FMT BSP	77450-000120	
NMV PVC BALL VLV 1 UNION 1" FMT BSP	77450-000121	
NMV PVC BALL VLV 1 UNION 1¼" FMT BSP	77450-000122	
NMV PVC BALL VLV 1 UNION 1½" FMT BSP	77450-000123	
NMV PVC BALL VLV 1 UNION 2" FMT BSP	77450-000124	
NMV PVC BALL VLV 1 UNION 2½" FMT BSP	77450-000125	
NMV PVC BALL VLV 1 UNION 3" FMT BSP	77450-000126	
NMV PVC BALL VLV 1 UNION 4" FMT BSP	77450-000127	

\*Can be also ordered in NPT standard if required

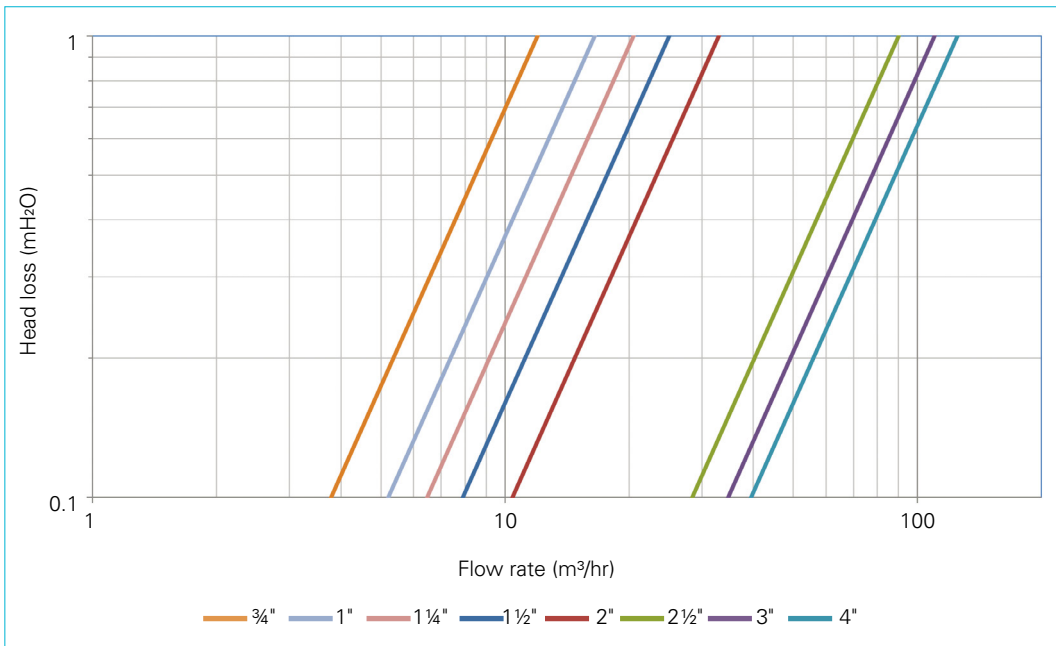
PRODUCT DESCRIPTION	CATALOG NUMBER	ILLUSTRATION
NMV PVC BALL VLV 1 UNION ¾" SG ISO/D	77450-000200	
NMV PVC BALL VLV 1 UNION 1" SG ISO/D	77450-000201	
NMV PVC BALL VLV 1 UNION 1¼" SG ISO/D	77450-000202	
NMV PVC BALL VLV 1 UNION 1½" SG ISO/D	77450-000203	
NMV PVC BALL VLV 1 UNION 2" SG ISO/D	77450-000204	
NMV PVC BALL VLV 1 UNION 2½" SG ISO/D	77450-000205	
NMV PVC BALL VLV 1 UNION 3" SG ISO/D	77450-000206	
NMV PVC BALL VLV 1 UNION 4" SG ISO/D	77450-000207	

\*Can be also ordered in ASTM or BS standard if required

## TRUE UNION BALL VALVES - PACKAGING DATA

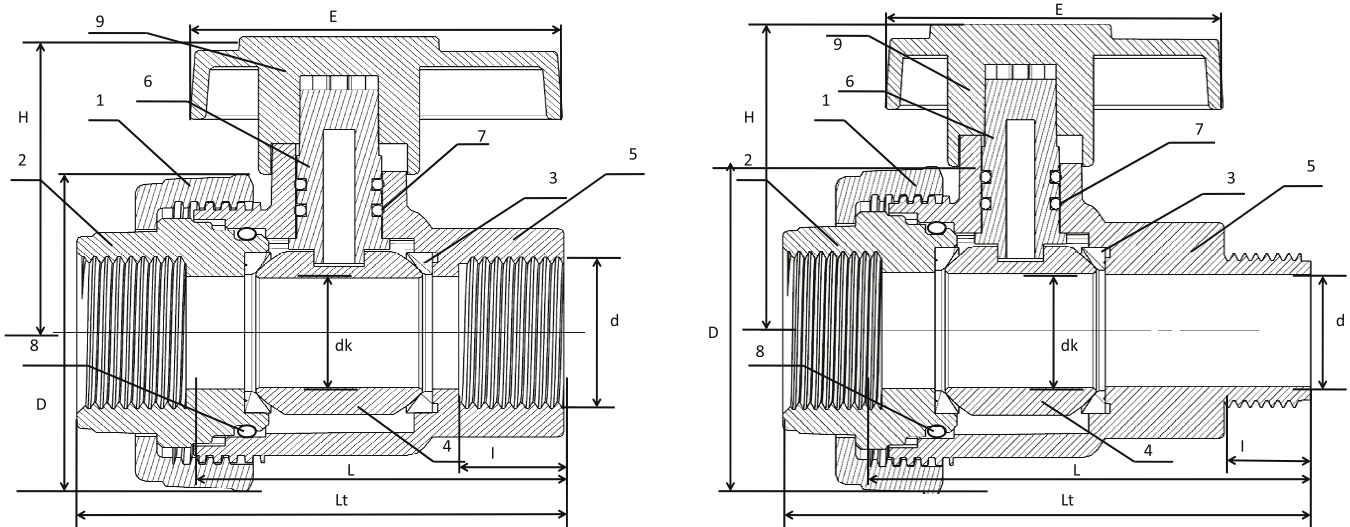
MODEL	QUANTITY P/BOX UNIT	BOX SIZES (CM X CM X CM)	FEMALE-FEMALE THD CONN. BOX WEIGHT (KG)	MALE-FEMALE THD CONN. BOX WEIGHT (KG)	SOCKET GLUED CONN. BOX WEIGHT (KG)	BOXES P/PALLET
¾"	150	43.0 x 33.0 x 39.0	22.11	23.83	22.33	12
1"	75		17.03	17.74	16.84	
1¼"	50		17.54	18.09	17.34	
1½"	16		10.91	10.58	10.53	
2"	8		8.68	8.90	8.52	
2½"	8		12.08	12.04	11.86	
3"	4		15.93	13.09	12.85	
4"	2		9.84	9.64	9.84	

## NETAFIM™ TRUE UNION BALL VALVES – HEAD LOSS



## TECHNICAL DIMENSIONS

### TRUE UNION BALL VALVES – ¾", 1", 1¼"



### TRUE UNION BALL VALVES

Inlet connector - threaded male • Outlet connector - threaded female

SIZE	NOM	BSP (TPI)	NPT (TPI)	DK (MM)	D (MM)	I (MM)	L (MM)	LT (MM)	E (MM)	H (MM)
¾"		14.00	14.00	20.00	60.00	18.00	80.20	99.15	60.80	56.50
1"		11.00	11.50	24.50	69.00	17.70	89.00	110.40	71.00	66.45
1¼"		11.00	11.50	31.80	79.50	25.70	88.00	122.80	105.00	70.30

### TRUE UNION BALL VALVES

Inlet connector - threaded female • Outlet connector - threaded female

SIZE	NOM	BSP (TPI)	NPT (TPI)	DK (MM)	D (MM)	I (MM)	L (MM)	LT (MM)	E (MM)	H (MM)
¾"		14.00	14.00	20.00	60.00	18.00	63.50	82.60	60.80	55.60
1"		11.00	11.50	24.50	69.00	19.55	70.50	93.00	71.00	66.45
1¼"		11.00	11.50	31.80	79.50	27.40	88.00	122.80	105.00	70.30

### TRUE UNION BALL VALVES

Inlet connector - socket glued • Outlet connector - socket glued

SIZE	NOM	ASTM d	BS d	DIN d	ISO d	DK (MM)	D (MM)	I (MM)	L (MM)	LT (MM)	E (MM)	H (MM)
¾"		26.67	26.00	25.00	25.00	20.00	60.00	18.00	63.50	82.60	60.80	55.60
1"		33.40	34.00	32.00	32.00	24.50	69.00	19.55	70.50	93.00	71.00	66.45
1¼"		42.16	42.00	40.00	40.00	31.80	79.50	27.40	88.00	122.80	105.00	70.30

## MATERIALS SPECIFICATIONS

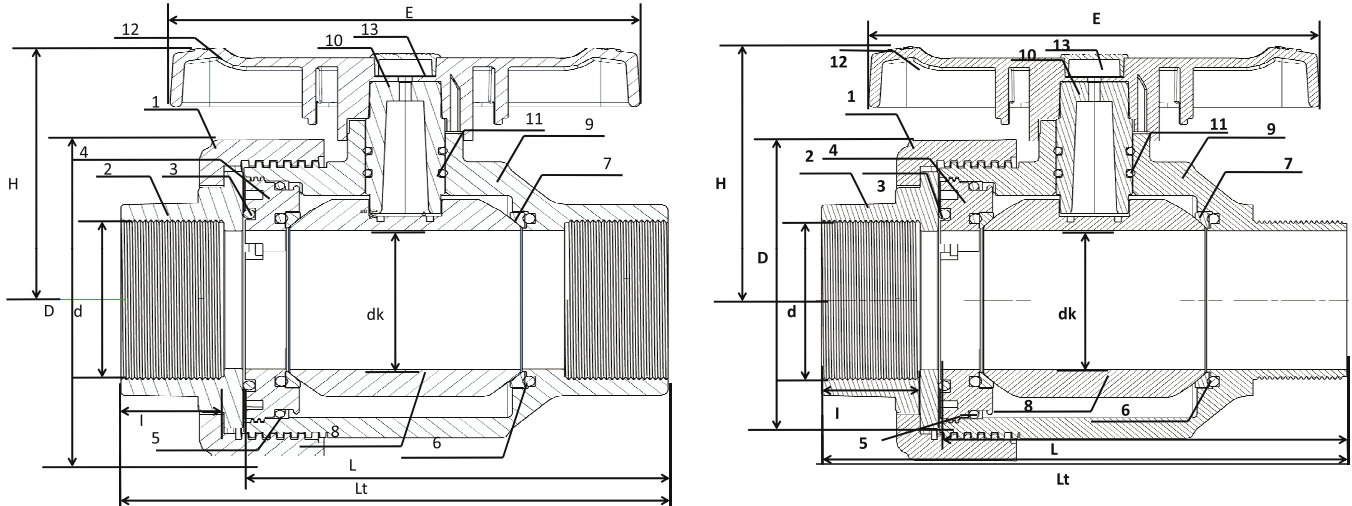
PART NO.	PART NAME	MATERIAL	QTY.
1	Ring	UPVC	1
2	Bush**	UPVC	1
3	Seal	TPE	2
4	Ball	UPVC	1
5	Body	UPVC	1
6	Shaft	UPVC	1

\* 1¼" ball valve. \*\* ¾" and 1" ball valve

PART NO.	PART NAME	MATERIAL	QTY.
7	Shaft O-Ring	HNBR	2
8	Main O-Ring **	HNBR	1
9	Handle	ABS	1
10	Threaded Bush*	UPVC	1
11	Bush Big O-Ring*	HNBR	1
12	Bush Small O-Ring*	HNBR	1
13	Socket*	UPVC	1

## TECHNICAL DIMENSIONS

### TRUE UNION BALL VALVES – 1½", 2", 2½", 3"



### TRUE UNION BALL VALVES

Inlet - threaded male • Outlet connector - threaded female

SIZE	NOM	BSP (TPI)	NPT (TPI)	DK (MM)	D (MM)	I (MM)	L (MM)	LT (MM)	E (MM)	H (MM)
1½"		11.00	11.50	39.40	94.40	32.00	98.50	136.60	121.00	90.80
2"		11.00	11.50	49.50	116.00	35.40	119.00	164.80	150.00	97.00
2½"		11.00	8.00	59.00	131.60	45.50	139.50	197.20	162.00	110.00
3"		11.00	8.00	76.00	178.80	42.80	180.00	230.40	200.40	139.00

### TRUE UNION BALL VALVES

Inlet connector - threaded female • Outlet connector - threaded female

SIZE	NOM	BSP (TPI)	NPT (TPI)	DK (MM)	D (MM)	I (MM)	L (MM)	LT (MM)	E (MM)	H (MM)
1½"		11.00	11.50	39.40	94.40	32.00	76.60	148.80	121.00	88.30
2"		11.00	11.50	49.50	116.00	35.40	119.00	164.80	150.00	97.00
2½"		11.00	8.00	59.00	131.60	45.50	140.85	195.40	162.00	110.00
3"		11.00	8.00	76.00	178.80	42.80	178.10	250.00	200.40	139.00

### TRUE UNION BALL VALVES

Inlet connector - socket glued • Outlet connector - socket glued

SIZE	NOM	ASTM d	BS d	DIN d	ISO d	DK (MM)	D (MM)	I (MM)	L (MM)	LT (MM)	E (MM)	H (MM)
1½"		48.26	48.00	50.00	50.00	39.40	94.40	32.00	76.60	148.80	121.00	88.30
2"		60.33	60.00	63.00	63.00	49.50	116.00	35.40	88.00	175.40	150.00	97.00
2½"		73.03	75.00	75.00	75.00	59.00	131.60	45.50	140.85	195.40	162.00	110.00
3"		88.90	89.00	90.00	90.00	76.00	178.80	42.80	178.10	250.00	200.40	139.00

## MATERIALS SPECIFICATIONS

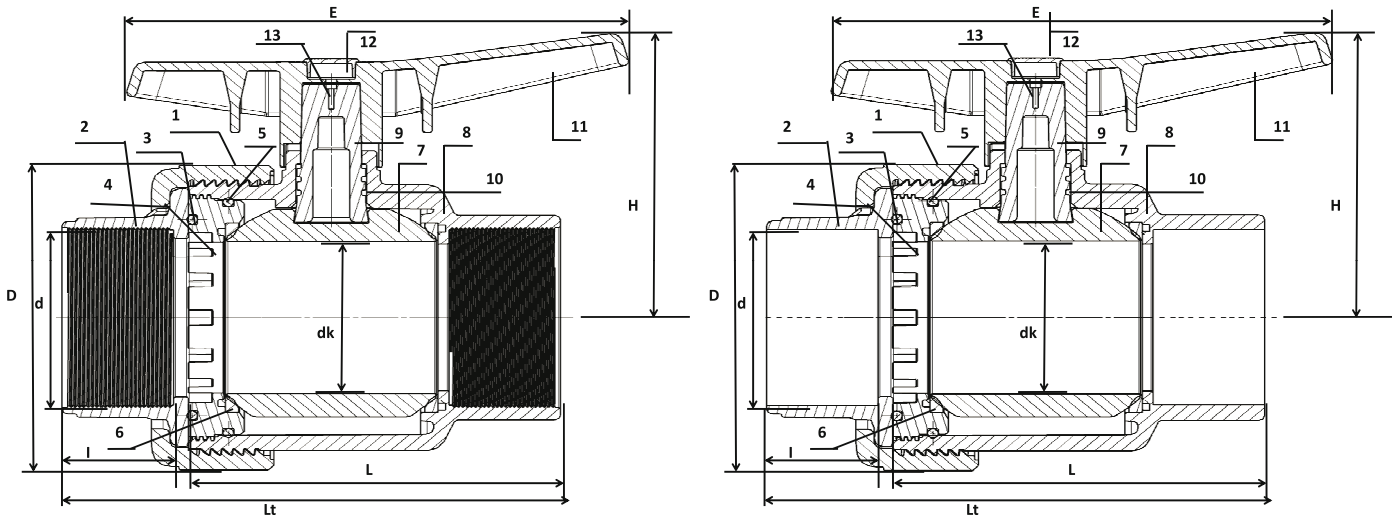
PART NO.	PART NAME	MATERIAL	QTY.
1	Ring	UPVC	1
2	Socket	UPVC	1
3	Bush Small O-Ring	HNBR	1
4	Bush	UPVC	1
5	Bush Big O-Ring	HNBR	1
6	Seal Washer*	HNBR	2
7	Seal	TPE	2

PART NO.	PART NAME	MATERIAL	QTY.
8	Ball	UPVC	1
9	Body	UPVC	1
10	Shaft	UPVC	1
11	Shaft O-ring**	HNBR	1
12	Handle	ABS	1
13	Handle Logo	ABS	1

\* 3" Ball valve, \*\* 2" Model.

# TECHNICAL DIMENSIONS

## TRUE UNION BALL VALVES – 4"



### TRUE UNION BALL VALVES

Inlet connector - threaded male • Outlet connector - threaded female

SIZE	NOM	BSP (TPI)	NPT (TPI)	DK (MM)	D (MM)	I (MM)	L (MM)	LT (MM)	E (MM)	H (MM)
4"		11.00	8.00	98.30	197.00	60.00	200.00	268.00	270.10	186.00

### TRUE UNION BALL VALVES

Inlet connector - threaded female • Outlet connector - threaded female

SIZE	NOM	BSP (TPI)	NPT (TPI)	DK (MM)	D (MM)	I (MM)	L (MM)	LT (MM)	E (MM)	H (MM)
4"		11.00	8.00	98.30	197.00	60.00	200.00	268.00	270.10	186.00

### TRUE UNION BALL VALVES

Inlet connector - socket glued • Outlet connector - socket glued

SIZE	NOM	ASTM d	BS d	DIN d	ISO d	DK (MM)	D (MM)	I (MM)	L (MM)	LT (MM)	E (MM)	H (MM)
4"		114.30	114.00	110.00	110.00	98.30	196.50	60.00	200.00	268.00	270.10	186.00

## MATERIALS SPECIFICATIONS

PART NO.	PART NAME	MATERIAL	QTY.
1	Ring	UPVC	1
2	Socket	UPVC	1
3	Bush Small O-Ring	HNBR	1
4	Bush	UPVC	1
5	Bush Big O-Ring	HNBR	1
6	Seal	TPE	2
7	Ball	UPVC	1

PART NO.	PART NAME	MATERIAL	QTY.
8	Body	UPVC	1
9	Shaft	UPVC	1
10	Shaft O-Ring	HNBR	3
11	Handle	ABS	1
12	Handle Logo	ABS	1
13	Handle Screw	SS	1