



70-300

FLOAT PILOTS (PLASTIC) 2-WAY FLOAT ACTUATED PILOT-VALVE MODULATING



DESCRIPTION

The **70-300** is a 2 way, float pilot-valve that is designed for the control of the constant level control valves. The float pilot-valve will vent or pressurize the control chamber of the main valve to open or to close, in direct proportion to the level changes. It proportionally modulates open or throttle closed the main valve, maintaining constant water level, regardless of fluctuating demand.

FEATURES

- No overflow - drip tight closure
- “Soft” closure (regulating)
- Inlet flow equalize to the demand flow (constant level)
- External simple installation, easy maintenance
- Drip tight shut-off
- Accurate and easy to adjust

APPLICATIONS

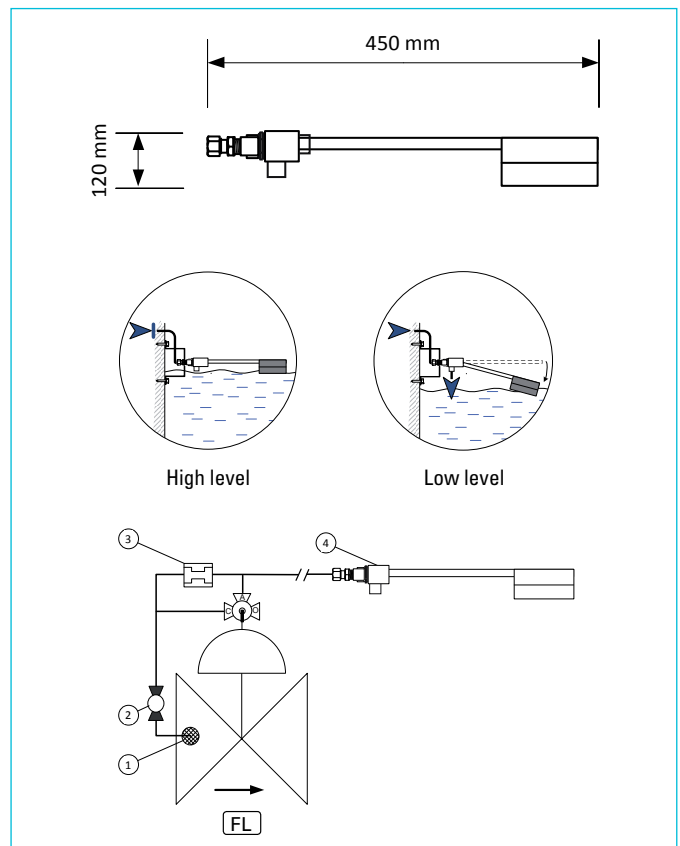
Level control - modulating float pilot-valve - **FL**

INSTALLATION

Sample drawing, Consult Netafim for the assembly design to fit your needs.

MAIN COMPONENTS:

1. Self flushing filter
2. Cock valve
3. Needle valve / Restrictor
4. **70-300** Float pilot valve



GENERAL	
PRESSURE RATING	10 bar / 150 psi
FLUID TEMPERATURE	50°C max. / 120°F max.
MATERIALS	
PILOT BODY	GRP
INTERNAL PARTS	NBR
FLOAT	Plastic
FLOAT ROD	Plastic
PORT CONNECTIONS	
	NPT 1/4"