



66-310

METAL PILOTS MULTI-PURPOSE AND RELAY-VALVE 66-31D DIFFERENTIAL-PRESSURE SENSING



DESCRIPTION

The **66-310** is a diaphragm actuated, spring-loaded pilot-valve that is designed for control of hydraulic-valves. The pilot valve serves either as a 2-way pilot valve or as an adjustable relay valve that is used as a selector between the common port and the two other ports. The pilot valve will vent, or pressurize or lock the hydraulic valve's chamber as a factor of the relation between the regulated pressure and the adjusted set-value. The **66-310** pilot-valve can be used for implementing a wide range of hydraulic control-functions.

FEATURES

Same pilot can be used for various control functions by simply changing the way it is connected to the valve

Differential Pressure Sensing - **66-31D**

Can be used with any hydraulic control valve of any size

Can be activated by hydraulic or pneumatic pressure

APPLICATIONS

Pressure sustaining valves - **PS**

Quick pressure relief valves - **QR**

Surge anticipating - **RE**

Accelerator relay-valve (used for opening and closing valves quicker)

Remote hydraulic-control with adjustable-pressure

Pneumatically and hydraulically actuated deluge/pre-action valves - **DE**

GENERAL

PRESSURE RATING	25 bar / 360 psi
PRESSURE ADJUSTMENT RANGE	0.4 - 13 bar / 6 - 190 psi
FLUID TEMPERATURE	80°C max / 175°F max.
WEIGHT	1.9 kg / 4.2 lbs

MATERIALS	STANDARD	OPTIONAL*
BODY AND BONNET	Brass	SST
ELASTOMERS	NBR	EPDM
INTERNAL PARTS	SST+Brass	-
SPRING	SST	-

DIMENSIONS

H (HEIGHT) MAX.	215 mm / 8.46"
W (WIDTH)	84 mm / 3.31"

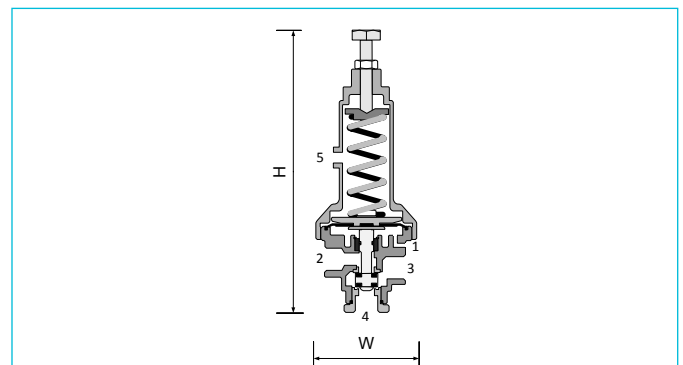
PORT CONNECTIONS

1	NPT 1/4"
2,3,4	NPT 1/2"
5	NPT 1/8"

* Other materials available upon demand

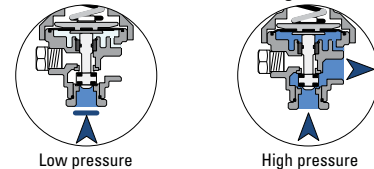
SPRING NUMBER	COLOUR	BAR	PSI
42 (Std.)	Yellow	0.4 - 5.5	6 - 80
47	Green	0.6 - 9	9 - 130
50	Red	0.7 - 17	10 - 245

Adjustment: Turn the adjusting screw clockwise to increase the set point



Principle of operation

(shown in "Pressure sustaining" mode)



(shown in Relay mode)

