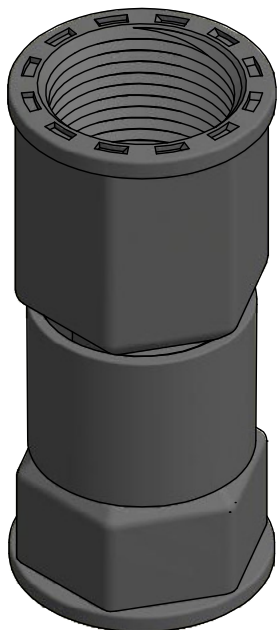


Fast Sprinkler Coupling



The Fast Sprinkler Coupling is a $\frac{3}{4}$ inch bayonet type connector. It is the simplest, low-cost solution to connect and disconnect at will a sprinkler to a riser pipe, allowing storage of the sprinklers when not in use.

USEFUL IN MANY APPLICATIONS

- Livestock pasture - the sprinklers are alternately transferred from one plot to another, allowing re-growth of the vegetation on one plot while the animals graze in another.
- Landscaping - the sprinklers are alternately transferred from one plot to another, allowing the flexibility required by the gardening work program and the public attendance on the site.
- And many more...

ADVANTAGES

- Lowers costs by reducing the quantity of sprinklers needed for the same task.
- Prevents loss of equipment by theft and vandalism.
- Fast and easy to install and use.
- Robust, maintenance-free design.

ASSEMBLY

Assemble the Fast Sprinkler Coupling as seen on the right.



ATTENTION

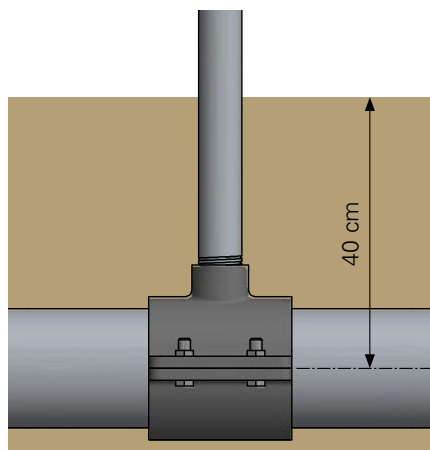
Apply Teflon tape to all the threads to prevent leakage. Wind 3 layers of Teflon tape onto each thread.



ATTENTION

Install the Fast Sprinkler Coupling with the long thread on top.

INSTALLATION

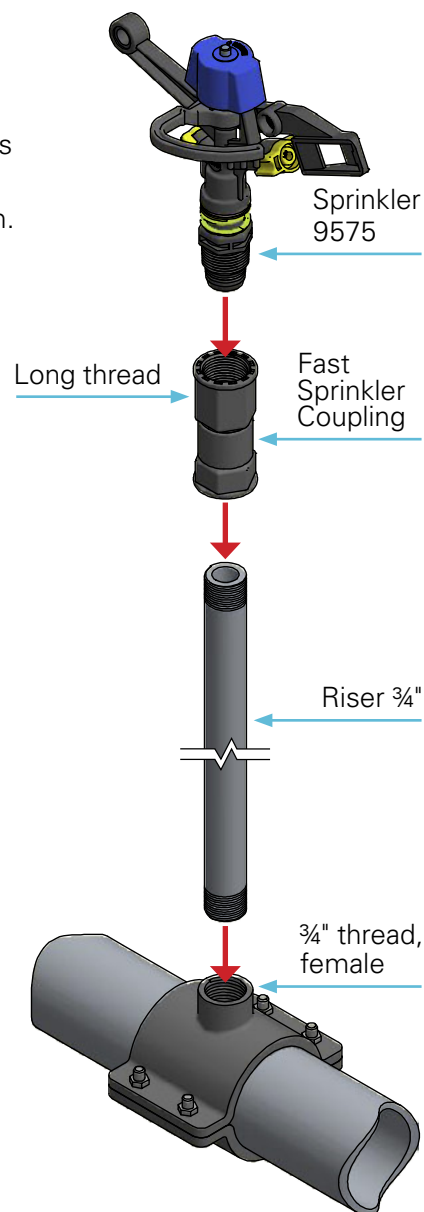


It is recommended to place the distribution pipe in the soil at a depth of at least 40 cm.



ATTENTION

Make sure the $\frac{3}{4}$ " riser is vertical.





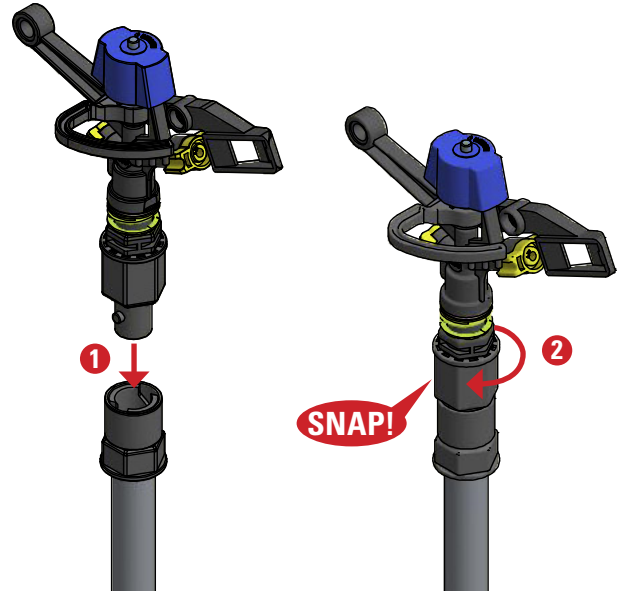
USE



ATTENTION

Shut-off the water supply when connecting or disconnecting the Fast Sprinkler Coupling.

- Connecting the Fast Sprinkler Coupling
 - 1 Insert the upper part into the lower part.
 - 2 Turn clockwise. You should feel it snap when locked.
- Disconnecting the Fast Sprinkler Coupling
Turn the upper part counterclockwise and pull it up.



ORDER

DESCRIPTION	Cat. No.
Fast Sprinkler Coupling 3/4" female-female thread	60100-003720

PACKAGING DATA

UNITS P/BOX	BOX DIMENTIONS cm	BOX WEIGHT Kg	UNITS P/PALLET
400	55 x 36 x 33	12.8	7200