

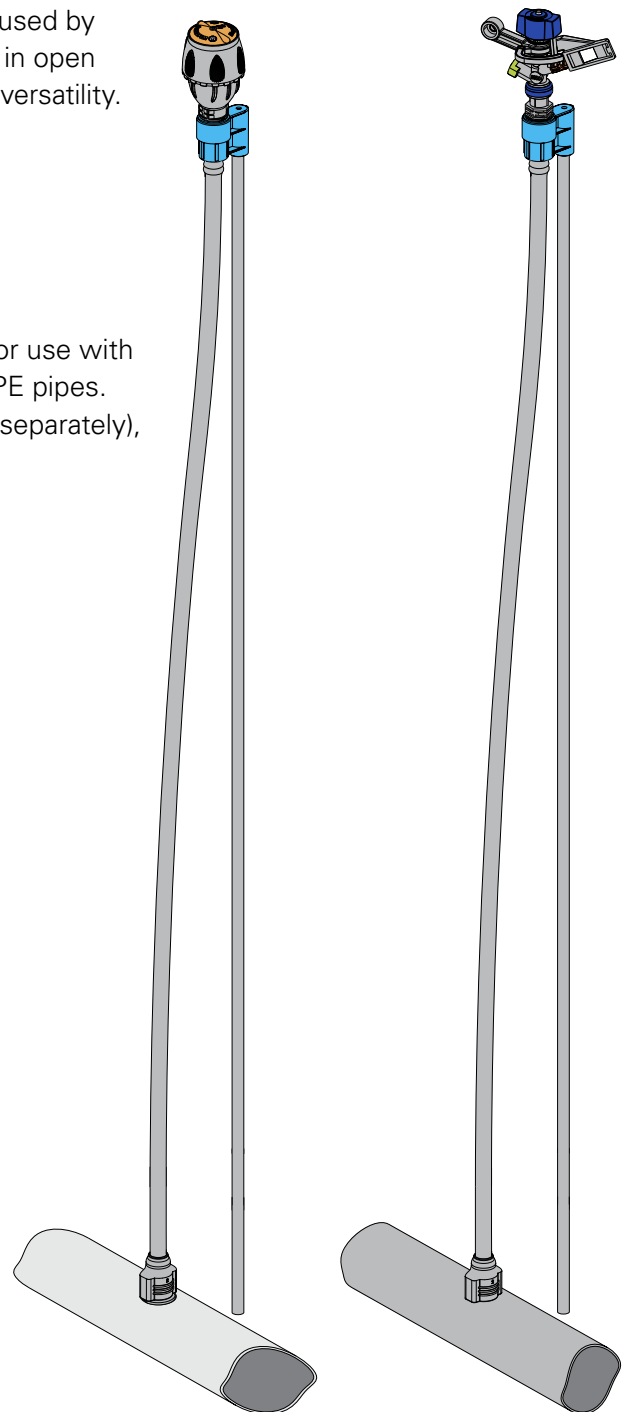
IMP SPR Stand™

The Netafim™ ½" diameter IMP SPR Stand™, satisfactorily used by farmers all over the globe for many years, became a classic in open field and orchard irrigation due to its durability, simplicity and versatility. It can accommodate any type of ½" sprinkler.

BENEFITS

- High durability - reusable for many years
- Suitable for field and orchard applications
- Easy to assemble and disassemble
- Incorporates the F&S (Fast-and-Safe) connector suitable for use with Netafim™ FlexNet™ pipes (see TIP, [page 7](#)) or with rigid PE pipes.
- Combined with a 120 cm metal (galvanized iron) rod (sold separately), the IMP SPR Stand™ can rise to a height of up to 100 cm

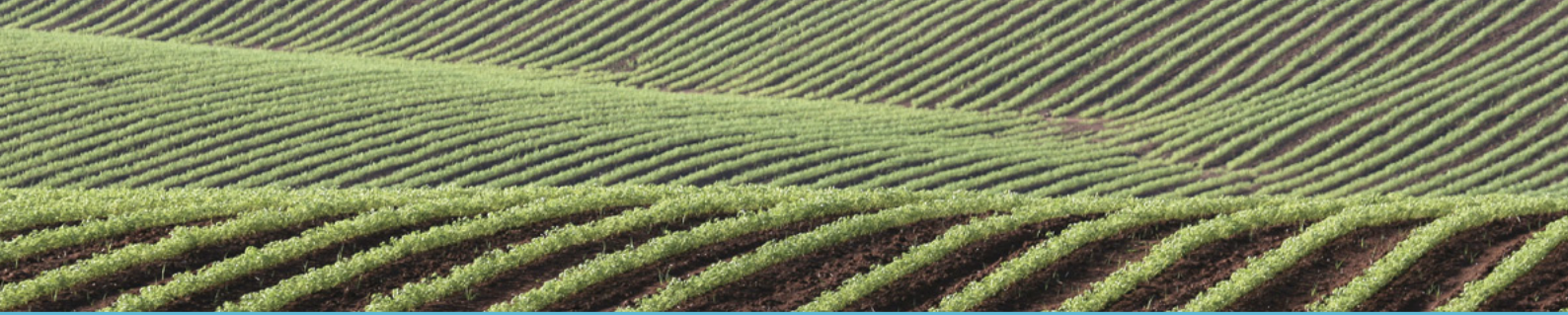
For a full description of the MegaNet™ and/or the D-Net™ sprinklers go to www.netafim.com



With FlexNet™ pipe and MegaNet™ sprinkler*

With PE pipe and D-Net™ sprinkler*

*Pipes and sprinklers are sold separately.



INSTALLATION



CAUTION

Assembly must be done gently. Do not overtighten or use excessive force.



ATTENTION

Whenever the instruction "apply Teflon tape" appears in the installation instructions below, wind 3 layers of Teflon tape onto the thread to prevent leakage.

Safety

All local safety regulations must be applied when installing, operating, maintaining and troubleshooting the Netafim™ sprinkler irrigation system and its components.



WARNING

In an agricultural environment - always wear protective footwear.

Assembly

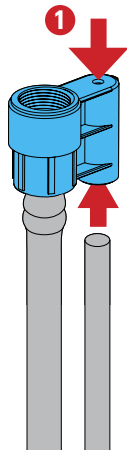
Tools required

- 20 mm spanner to connect the sprinkler.

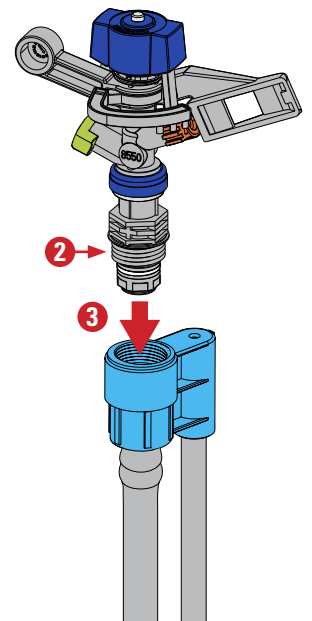
Perform the following 3 steps in the tool shed before installation in the field.

Preparation of the IMP SPR stand–metal rod assembly

1. Push the top adapter of the IMP SPR stand firmly onto the top of an 8 mm metal rod.



2. Apply Teflon tape to the sprinkler's thread
3. Screw the sprinkler to the top of the IMP SPR stand using a 20 mm spanner.

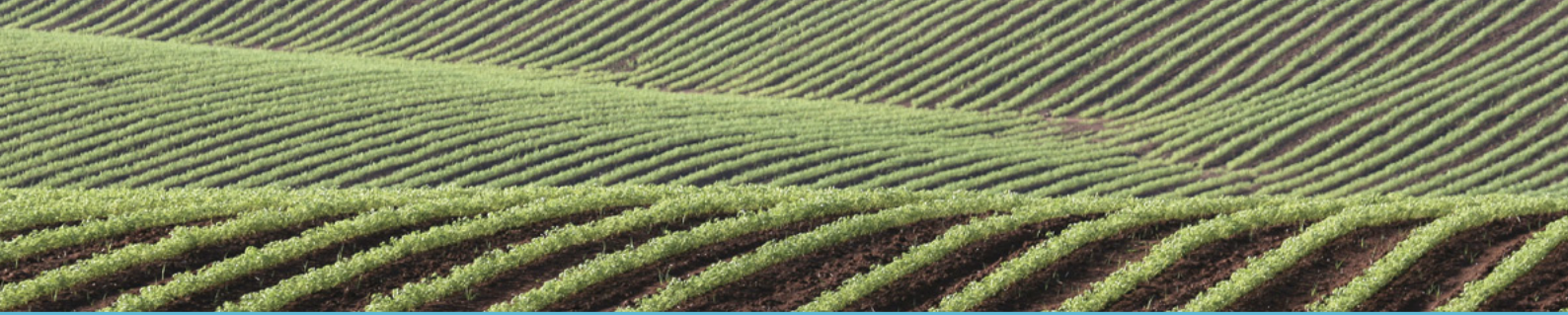


Installation with FlexNet™ distribution pipe

Continue on [page 3](#)

Installation with PE distribution pipe

Continue on [page 5](#)



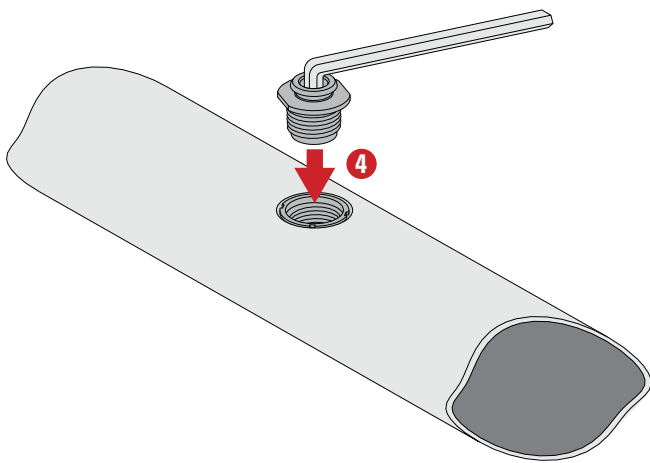
Installation with FlexNet™ distribution pipe

Tools required

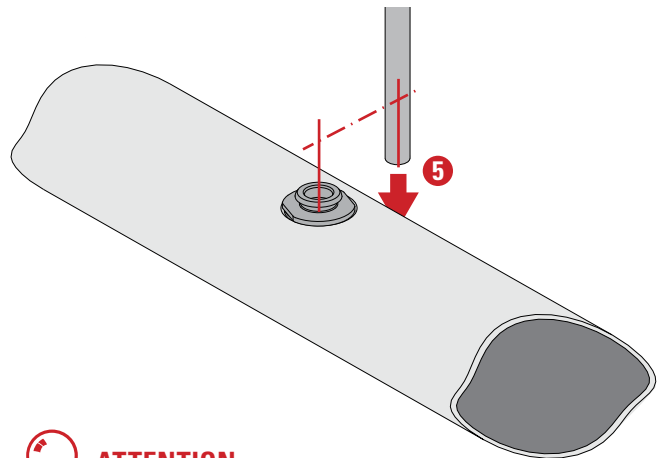
- 8 mm Allen key

Installation in the field

4. Screw a bushing into the FlexNet™ integral connector using an 8 mm Allen key.



5. Insert the bottom end of the metal rod into the soil close to the distribution pipe, parallel to the connector. The metal rod should be inserted into the soil to a depth of at least 20 cm.



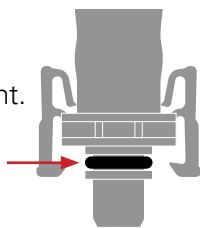
ATTENTION

Make sure that the metal rod is perfectly vertical and inserted stably into the soil.



NOTE

- Make sure that the stand connector's O-ring is present.
- Lubricate the O-ring with water or with a greasy lubricant to reduce friction.

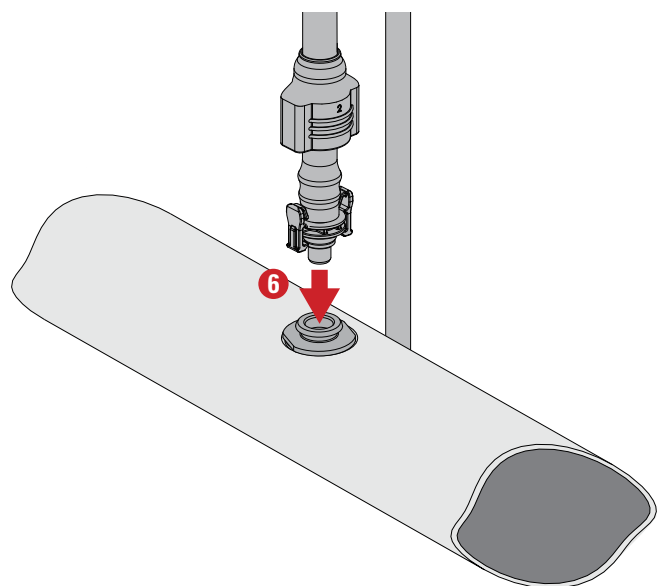
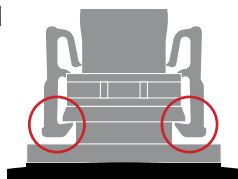


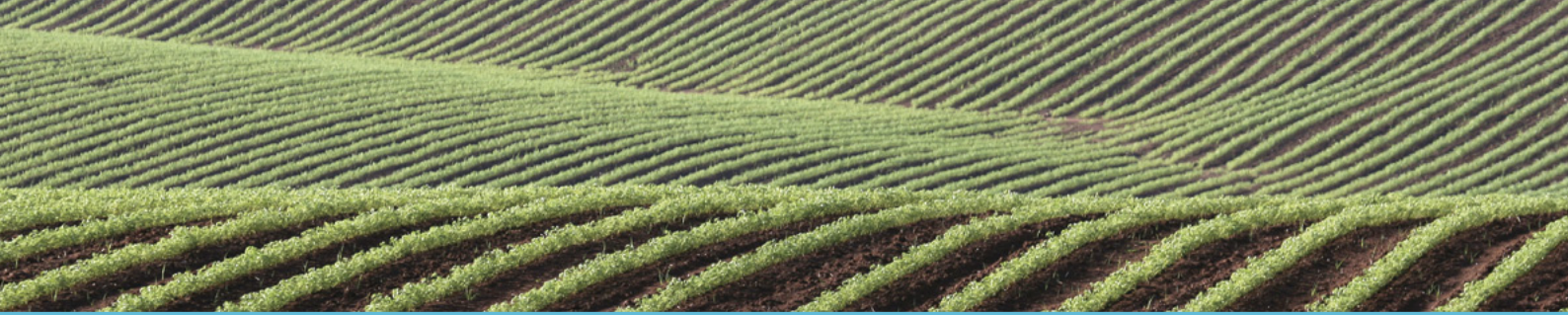
6. Push the stand connector firmly onto the bushing.



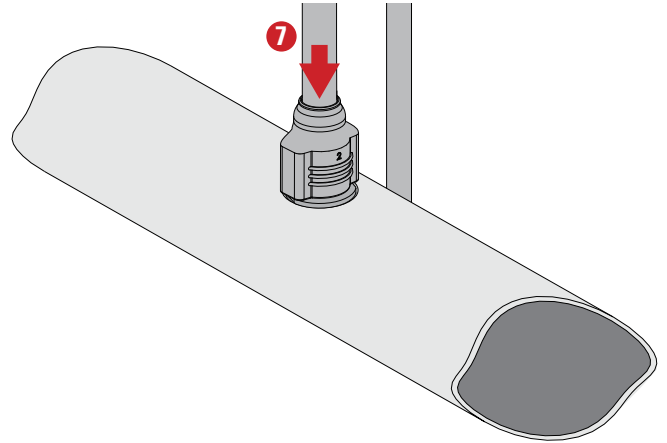
ATTENTION

Make sure that the stand connector is secured to the bushing. The two prongs should be properly inserted under the bushing rim.



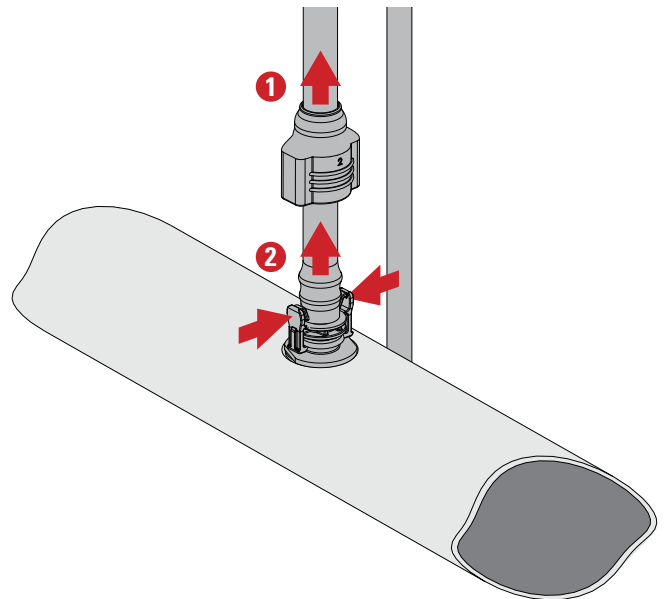
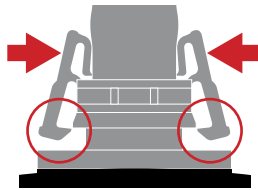


7. Lower the protective cover onto the connector to prevent dirt from penetrating the connector and jamming the clamps.



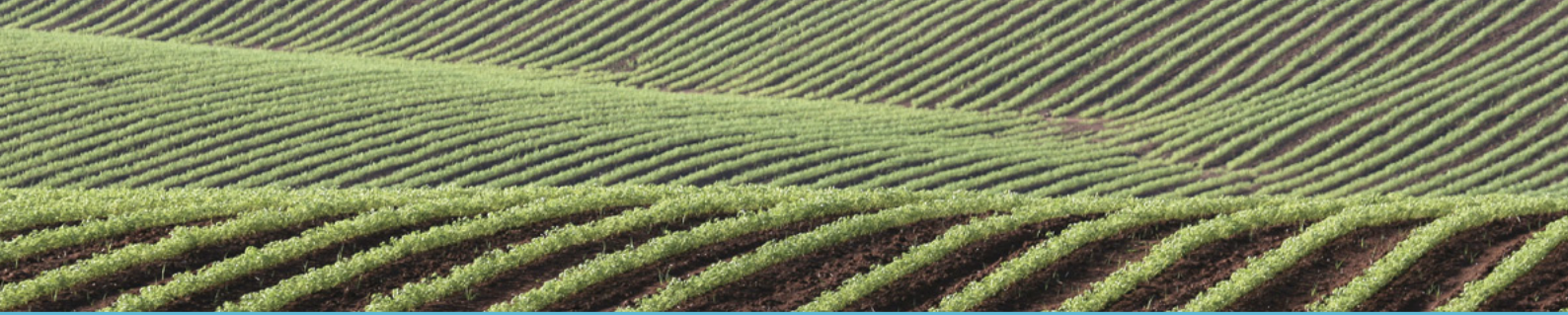
Disassembly

1. Lift the protective cover from the connector.
2. Disconnect the connector from the distribution pipe by firmly pressing the top end of the two clamps so that the prongs are released from under the bushing rim and pull the connector up.
3. Pull the metal rod out of the soil.



NOTE

The IMP SPR stand assembly can be stored fully assembled until the next use.



Installation with PE distribution pipe



NOTE

The Netafim™ IMP SPR sprinkler stand can be connected to a class-4 PE pipe with a diameter of 32, 40, or 50 mm and a maximum wall thickness of 3.6 mm.

Tools required

- 8 mm manual punch* with a press-fit inserter.
- 8 mm screw punch* tool (optional).

*Make sure the punch is sharp.

Assembly

Preparation of the IMP SPR stand—metal rod assembly

Perform steps **1**, **2**, and **3** on [page 2](#).

Installation in the field

4. Create a clean-cut hole in the pipe at the desired connection point.

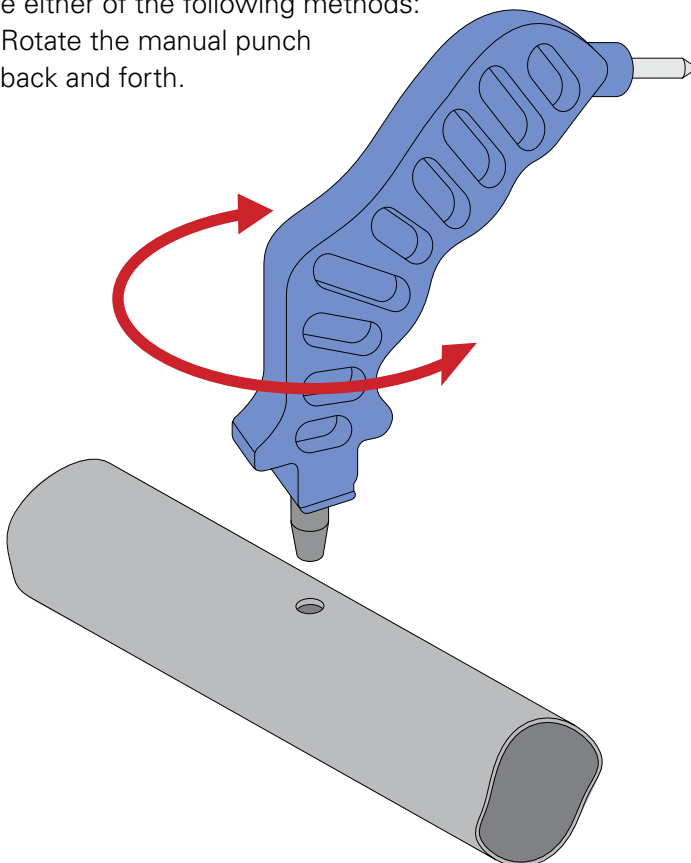


NOTE

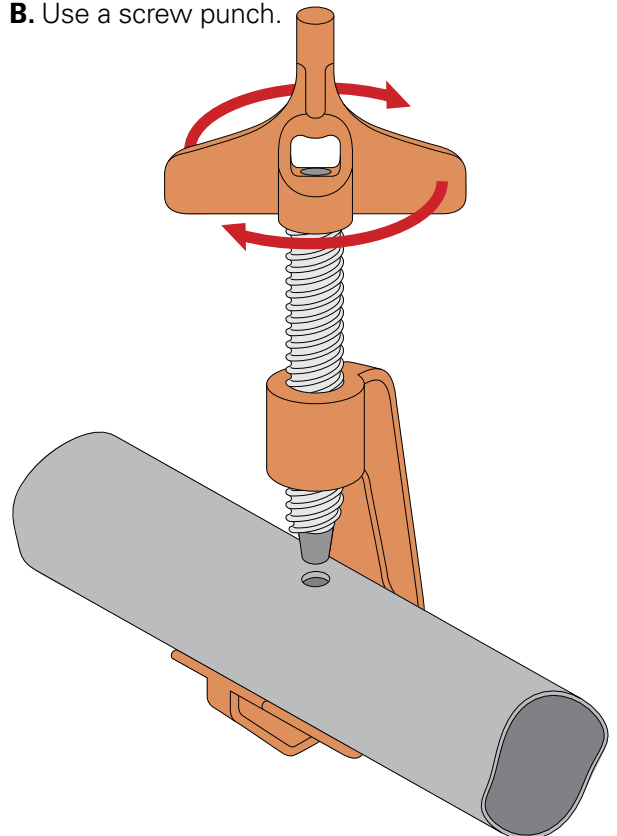
Do not use a drill to create the hole.

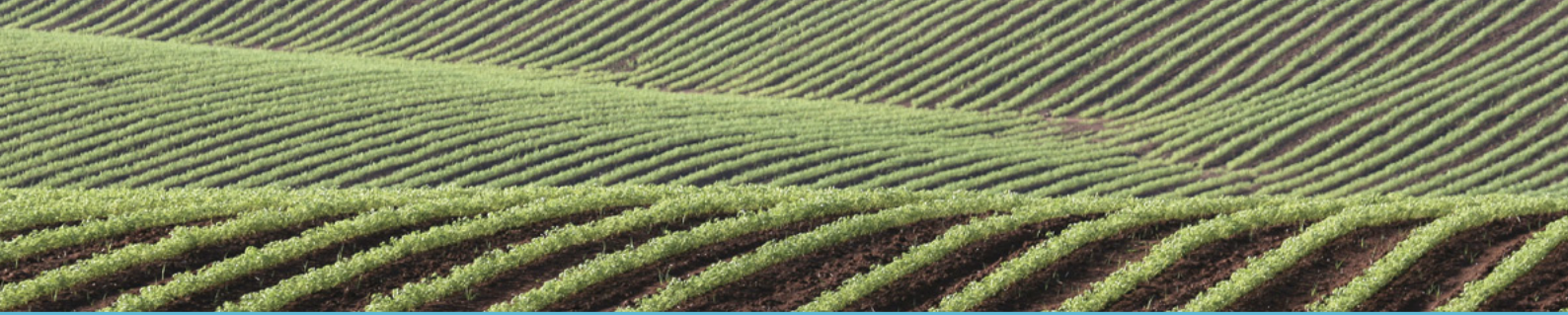
Use either of the following methods:

- A. Rotate the manual punch back and forth.

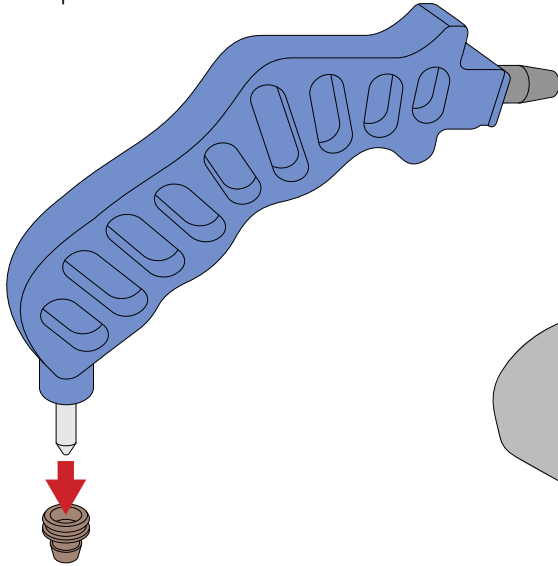


- B. Use a screw punch.

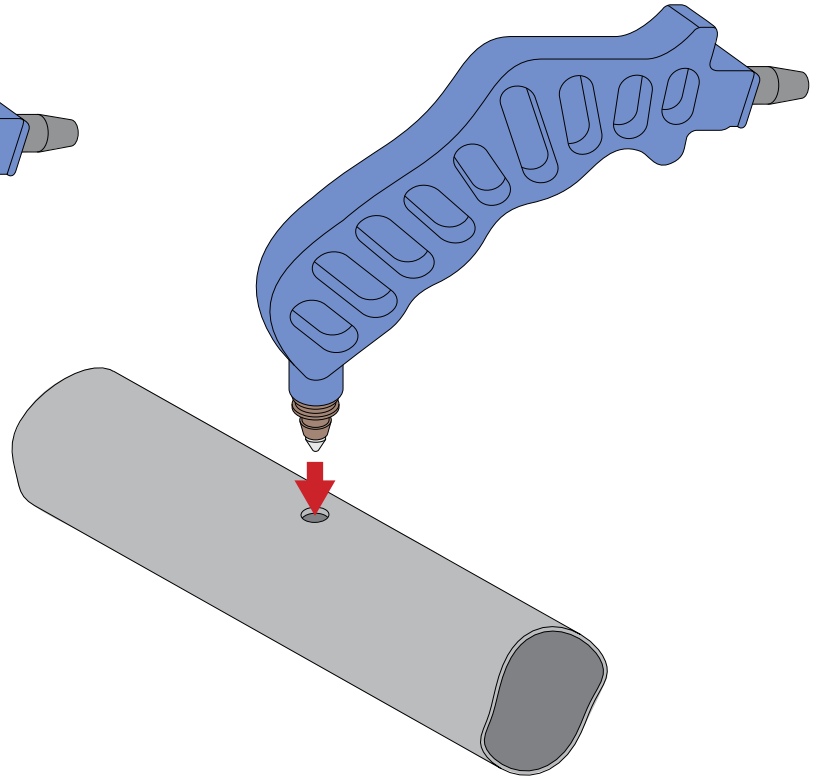




5. Place the barb connector on the press-fit inserter, which is located at the other end of the manual punch.

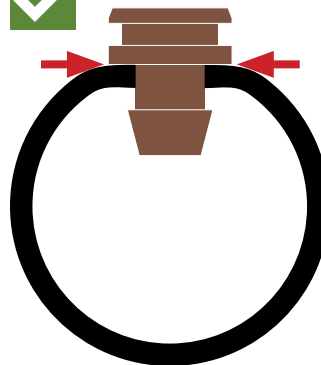


6. Insert the barb connector into the hole in the pipe.



ATTENTION

Make sure the connector's barb passes completely through the pipe wall. The wide rim of the barb connector should be flush with the surface of the pipe.



Continue the assembly from step 5 on [page 3](#).

Disassembly

Follow the disassembly instructions on [page 4](#).

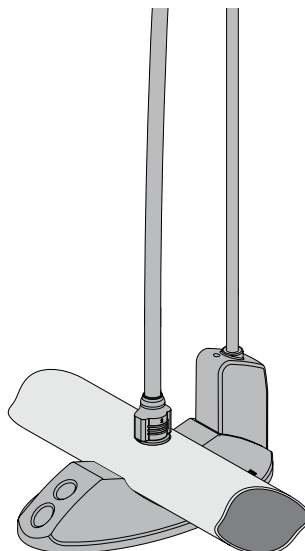


TIP

Enhance stand stability with the addition of the Mega Base™ to the IMP SPR Stand™

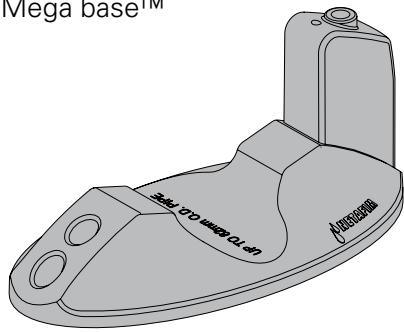
Where greater stability is required, add a Mega Base™ to the IMP SPR Stand™.

The Mega Base™ is dedicatedly designed to work in unison with the IMP SPR Stand™ metal rod to provide greater stability with a minimal additional investment. Suitable for use with Netafim™ FlexNet™ pipes (see TIP below) or with rigid PE pipes with a maximum external diameter (OD) of 82 mm.



Part description
Mega base™

Catalog number
64520-002480



TIP

Making the IMP SPR Stand™ 100% resistant to acids and corrosive agents

The only part of the IMP SPR Stand™ assembly that is not resistant to acids and corrosive agents is the metal rod (sold separately).

By replacing it with a fiberglass rod (not supplied by Netafim™) you produce a stand 100% resistant to acids and corrosive agents.



WARNING

Fiberglass is extremely hazardous to human health

When handling fiberglass observe all the safety measures and local regulations.

Always wear protective clothes, footwear, gloves, goggles, and respiratory protective gear.



TIP

Netafim™ recommends to use the FlexNet™ pipe for its numerous advantages:

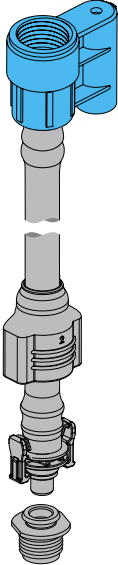
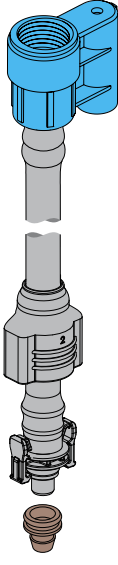
- User friendly and faster layout and retrieving process.
- Lower installation and setup costs.
- Flat and compact coil design, reduces freight and storage costs.
- Integral connectors reduce significant labor time and increase confidence in the connections between distribution pipes and risers.
- Light and flexible, easily moved from one installation to another.
- Low expansion and zero axial elongation, no snaking.
- Up to 80% lighter than other similar products.
- Robust and durable reinforced polyethylene weaves.
- White colored for high solar resistance, high chemical resistance and UV resistance.

For a full description of the FlexNet™ pipe range go to www.netafim.com



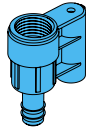



PARTS

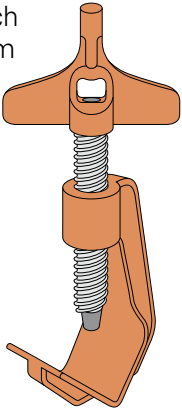
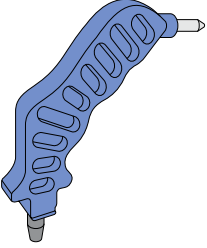
IMP SPR stand

Product description	Stand 9*12, 120 cm, with fast & safe connector to FlexNet™ pipe. Metal rod not included (sold separately).		Stand 9*12, 120 cm, with fast & safe connector to PE pipe. Metal rod not included (sold separately).	
	Catalog number	64520-004910	64520-004900	

IMP SPR stand accessories

Part description	Catalog number
SPR stand FLX F&S conn. female 1/2" MTH 	65080-005210
SPR stand FLX F&S conn. female barb (brown) 	65080-005010
IMP SPR connector (blue) 	65080-000900
Metal rod 8 mm, 120 cm length 	65080-001700

Tools

Product description	Screw punch 8 mm 	Punching tool 8 mm with press-fit inserter 
	Catalog number	45000-002400